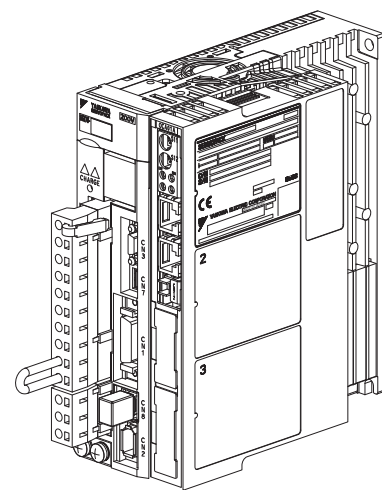


AC SERVOPACK
 Σ-V Series/
 Σ-V Series for Large-Capacity Models/
 Σ-7 Series
 Installation Guide
 Command Option Module
 Command Option Module Model: SGDV-OC□□□□

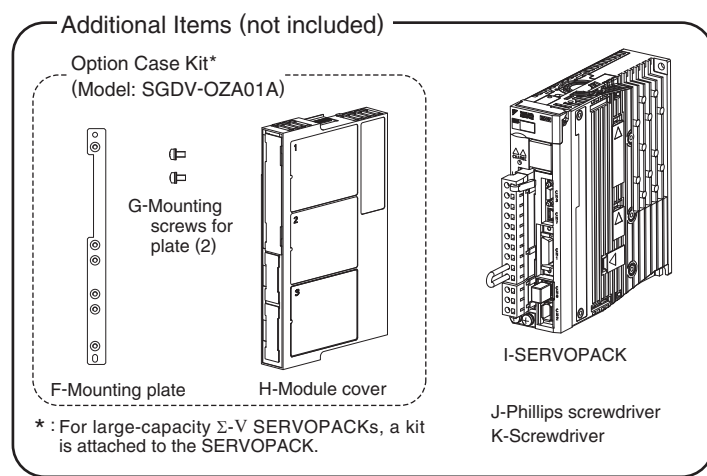
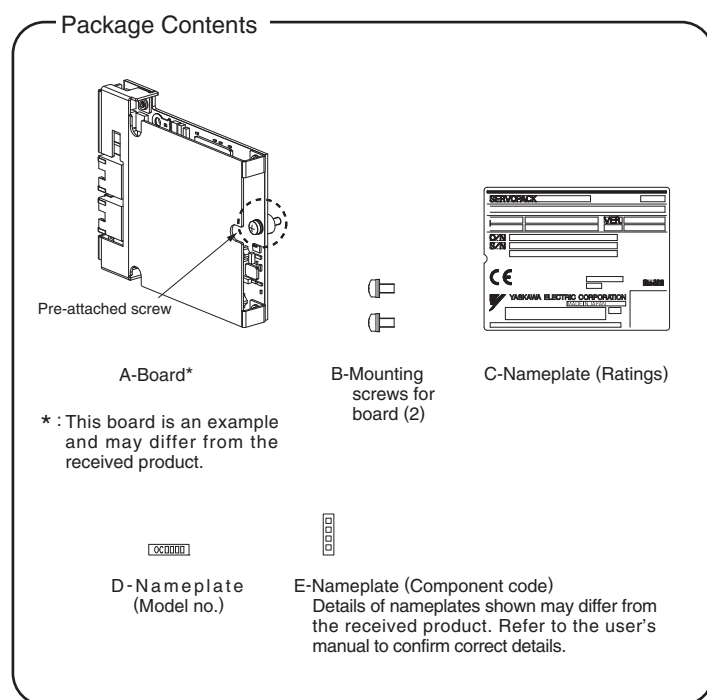


MANUAL NO. TOBP C720829 01C

APPLICABLE SERVOPACKs

Σ-V Series, Large-Capacity Σ-V Series or Σ-7 Series Σ-7S Models

ITEMS REQUIRED FOR INSTALLATION



INSTALLATION CONDITIONS

Install the module in the following environment.

- Cover the working area with a conductive or antistatic mat.
- This mat must be safely grounded with a resistor (1 MΩ±20%).
- The surrounding air temperature must be between 0 and 55 °C.
- Ambient humidity must be 90% RH or less (with no condensation).
- No extreme changes in temperature that can cause condensation
- Free from corrosive or flammable gases
- Free from dust, salts, or iron dust
- Not subject to water, oil, or chemicals
- No vibration and/or shock directly transmitted to the product

SAFETY PRECAUTIONS

■ Before starting

CAUTION

- Always wear an antistatic wrist strap that is safely grounded.
- Touch a safely grounded object to discharge any static electricity from your body.

■ Installation

CAUTION

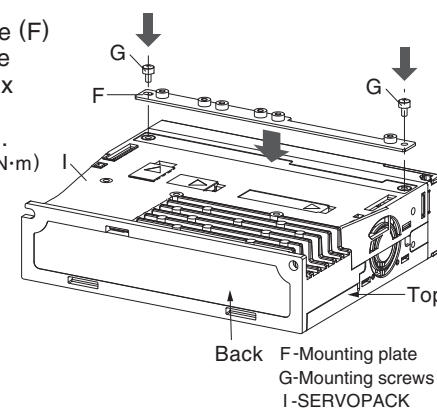
- Install in the specified environment. Failure to observe this caution may result in malfunction.
- Disconnect all cables from the SERVOPACK before installing the board. Failure to observe this caution may result in malfunction.
- Do not apply any impact to the board. Failure to observe this caution may result in malfunction.
- Protect the board from moisture. Failure to observe this caution may result in malfunction.
- Do not touch the connector or electronic components on the board. Hold the board along its edges when installing. Failure to observe this caution may result in malfunction.
- Do not place any object on the board. Failure to observe this caution may result in malfunction.
- Avoid direct contact with any object that has not had antistatic treatment. Failure to observe this caution may result in malfunction.
- Make sure that your clothing is not in contact with the board. Failure to observe this caution may result in malfunction.
- Do not tighten the screws with excessive torque. The recommended tightening torque is 0.14 N·m ±10%. Tightening screws with excessive torque may damage screw threads and the spacer, resulting in deformation of the board.

INSTALLATION PROCEDURE

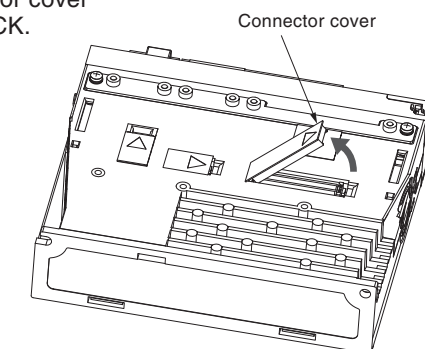
For large-capacity Σ-V SERVOPACKs, remove the module cover from the SERVOPACK and start with step 3.

Preparing the SERVOPACK

1. Fit the mounting plate (F) into the recess on the SERVOPACK, and fix the plate with the mounting screws (G). (Tightening torque: 0.14 N·m)

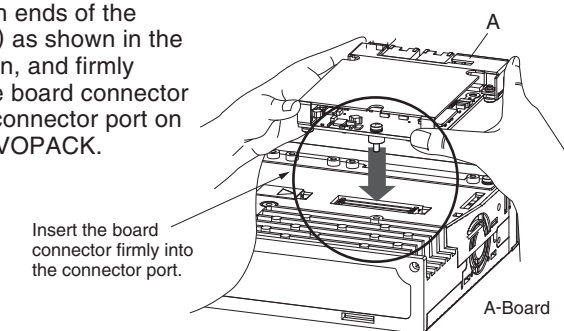


2. Remove the connector cover from the SERVOPACK.

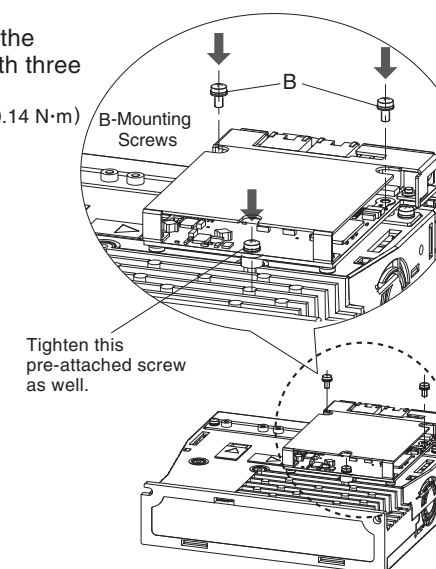


Installing the Board

3. Hold both ends of the board (A) as shown in the illustration, and firmly insert the board connector into the connector port on the SERVOPACK.

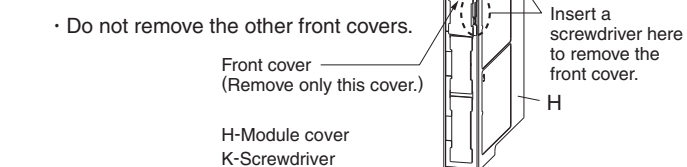


4. Fix the board on the SERVOPACK with three screws. (Tightening torque: 0.14 N·m)

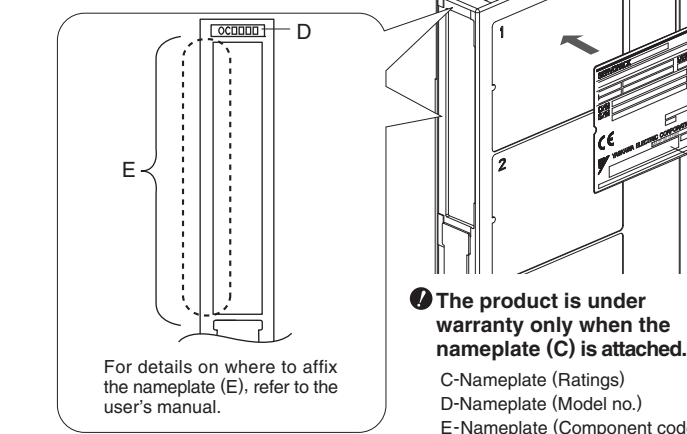


Preparing the Module Cover

5. Remove one of the front covers (shown in the illustration) from the module cover (H) with a screwdriver (K).

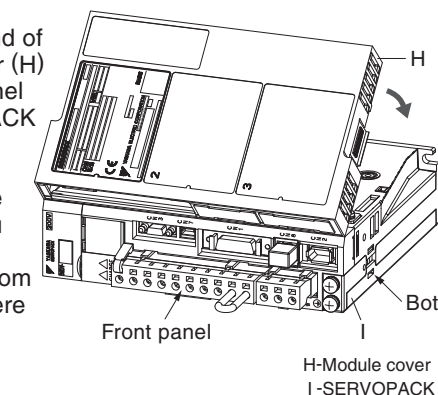


6. Affix three nameplates (C, D, E) to the positions specified in illustration.

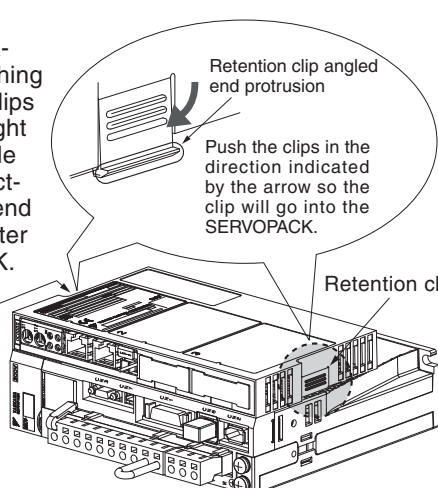


Mounting the Module Cover

7. Align the front end of the module cover (H) with the front panel of the SERVOPACK as shown in the illustration, and place the module cover so that you can view the installed board from the opening (where the front cover is removed) on the module cover.



8. Fix the module cover to the SERVOPACK by pushing in the retention clips on the left and right side of the module cover, while directing their angled end protrusions into the SERVOPACK.



After Installing

Conduct a trial operation after the command option module has been properly installed on the SERVOPACK. For trial operation details, refer to the manual for SERVOPACK being used.

If You Need to Send Us the Option Module for Service

Always leave the option module attached to the SERVOPACK when sending the option module to YASKAWA for service.

AC SERVOPACK
 Σ-V Series/
 Σ-V Series for Large-Capacity Models/
 Σ-7 Series
 Installation Guide
 Command Option Module

- IRUMA BUSINESS CENTER (SOLUTION CENTER)
 490, Kamfujisawa, Inuma, Saitama, 358-8555, Japan
 Phone 81-4-2962-5151 Fax 81-4-2962-6138
<http://www.yaskawa.com.jp>
- YASKAWA AMERICA, INC.
 2121, Norman Drive South, Waukegan, IL 60085, U.S.A.
 Phone 1-800-YASKAWA (927-5292) or 1-847-487-7000 Fax 1-847-487-7130
<http://www.yaskawa.com>
- YASKAWA ELÉTRICO DO BRASIL LTDA.
 777, Avenida Piraportinha, Diadema, São Paulo, 09950-000, Brasil
 Phone 55-11-3585-1100 Fax 55-11-3585-1187
<http://www.yaskawa.com.br>
- YASKAWA EUROPE GmbH
 185, Hauptstraße, Eschborn, 65760, Germany
 Phone 49-6196-569-300 Fax 49-6196-569-398
<http://www.yaskawa.eu.com>
- YASKAWA ELECTRIC KOREA CORPORATION
 352, Three IFC, 10 Gokseongnamgong, Yeongdeungpo-gu, Seoul, 07326, Korea
 Phone 82-2-784-7844 Fax 82-2-784-8495
<http://www.yaskawa.co.kr>
- YASKAWA ELECTRIC (SINGAPORE) PTE. LTD.
 151, Lorong Chuan, #04-02A, New Tech Park, 556741, Singapore
 Phone 65-6292-3003 Fax 65-6299-3003
<http://www.yaskawa.com.sg>
- YASKAWA ELECTRIC (THAILAND) CO., LTD.
 59, 1st-5th Floor, Flourish Building, Soi Ratchadapisek 18, Ratchadapisek Road, Huaykwang, Bangkok, 10310, Thailand
 Phone 66-2-017-0999 Fax 66-2-017-0799
<http://www.yaskawa.co.th>
- YASKAWA ELECTRIC (CHINA) CO., LTD.
 22F, One Corporate Avenue, No.222, Hubin Road, Shanghai, 200021, China
 Phone 86-21-5385-2200 Fax 86-21-5385-3299
<http://www.yaskawa.com.cn>
- YASKAWA ELECTRIC (CHINA) CO., LTD. BEIJING OFFICE
 Room 1011, Tower WG Oriental Plaza, No.1, East Chang An Ave.,
 Dong Cheng District, Beijing, 100738, China
 Phone 86-10-8518-4086 Fax 86-10-8518-4082
- YASKAWA ELECTRIC TAIWAN CORPORATION
 9F, 16, Nanjing E. Rd., Sec. 3, Taipei, 104, Taiwan
 Phone 886-2-2502-5003 Fax 886-2-2505-1920

YASKAWA

YASKAWA ELECTRIC CORPORATION
 In the event that the end user of this product is to be the military and said product is to be employed in any weapons systems or the manufacture thereof, the export will fall under the relevant regulations as stipulated in the Foreign Exchange and Foreign Trade Regulations. Therefore, be sure to follow all procedures and submit all relevant documentation according to any and all rules, regulations and laws that may apply. Specifications are subject to change without notice for ongoing product modifications and improvements.