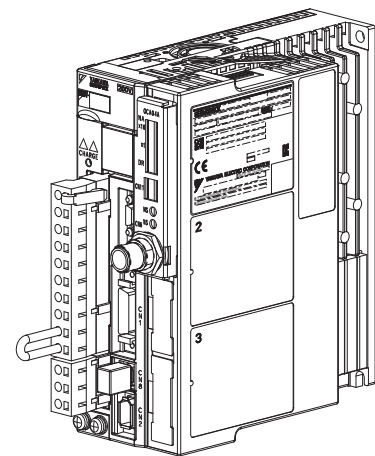


AC SERVOPACK
 Σ-V Series/
 Σ-V Series for Large-Capacity Models/
 Σ-7 Series
 Installation Guide
 DeviceNet Module
 DeviceNet Module Model: SGDV-OCA04A, -OCA05A

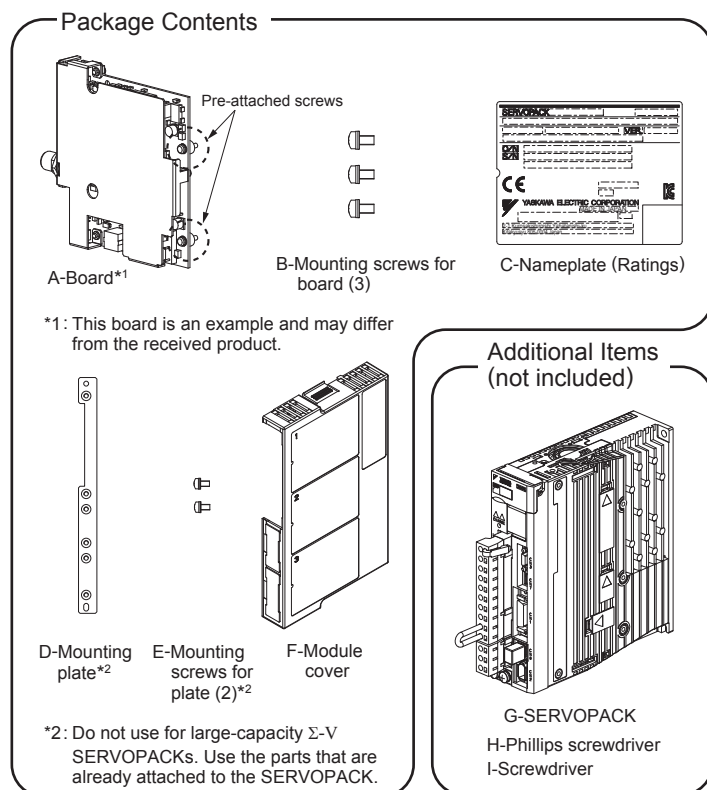


MANUAL NO. TOBP C720829 07C

APPLICABLE SERVOPACKs

Σ-V Series, Large-Capacity Σ-V Series or Σ-7 Series Σ-7S Models

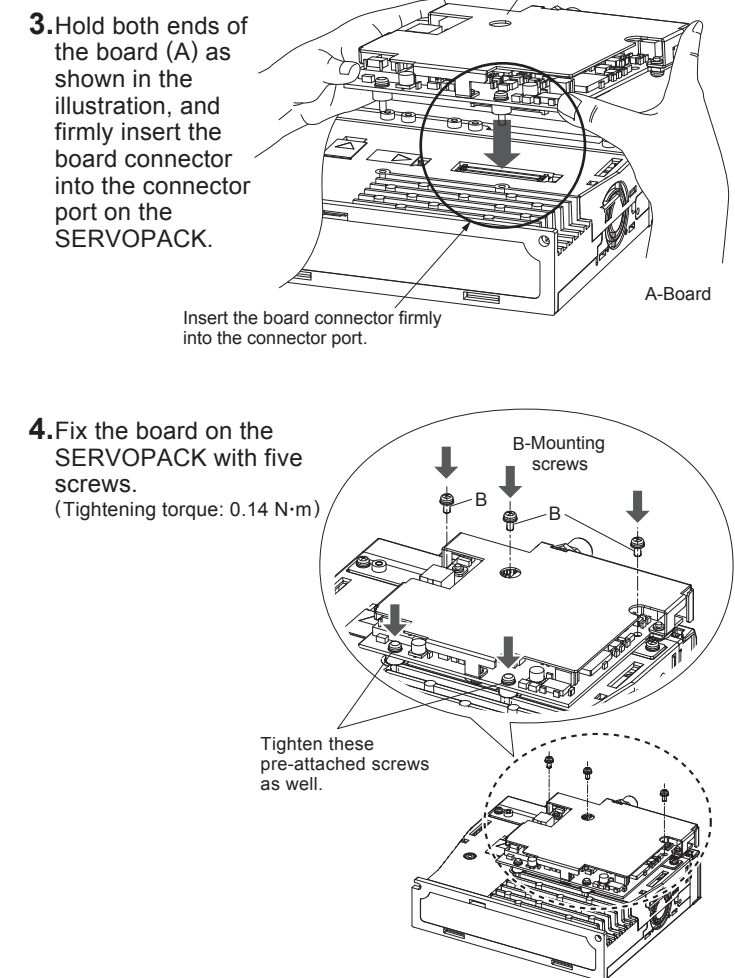
ITEMS REQUIRED FOR INSTALLATION



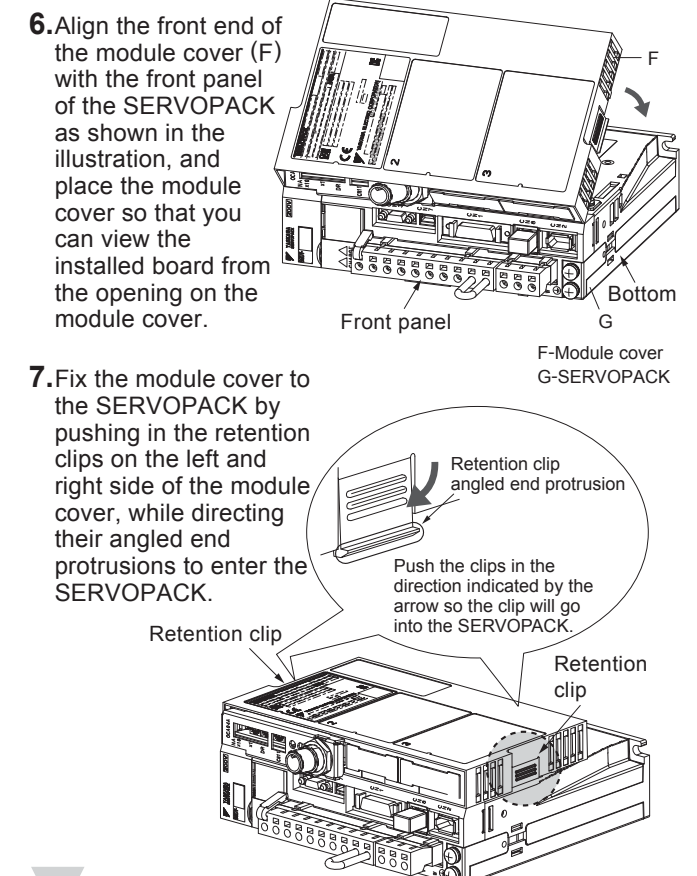
SAFETY PRECAUTIONS

- Before starting**
- Always wear an antistatic wrist strap that is safely grounded.
 - Touch a safely grounded object to discharge any static electricity from your body.
- Installation**
- Install in the specified environment. Failure to observe this caution may result in malfunction.
 - Disconnect all cables from the SERVOPACK before installing the board. Failure to observe this caution may result in malfunction.
 - Do not apply any impact to the board. Failure to observe this caution may result in malfunction.
 - Protect the board from moisture. Failure to observe this caution may result in malfunction.
 - Do not touch the connector or electronic components on the board. Hold the board along its edges when installing. Failure to observe this caution may result in malfunction.
 - Do not place any object on the board. Failure to observe this caution may result in malfunction.
 - Avoid direct contact with any object that has not had antistatic treatment. Failure to observe this caution may result in malfunction.
 - Make sure that your clothing is not in contact with the board. Failure to observe this caution may result in malfunction.
 - Do not tighten the screws with excessive torque. The recommended tightening torque is 0.14 N·m ±10%. Tightening screws with excessive torque may damage screw threads and the spacer, resulting in deformation of the board.

Installing the Board



Mounting the Module Cover



After Installing

Conduct a trial operation after the DeviceNet module has been properly installed on the SERVOPACK. For trial operation details, refer to the manual for SERVOPACK being used.

If You Need to Send Us the Option Module for Service

Always leave the option module attached to the SERVOPACK when sending the option module to YASKAWA for service.

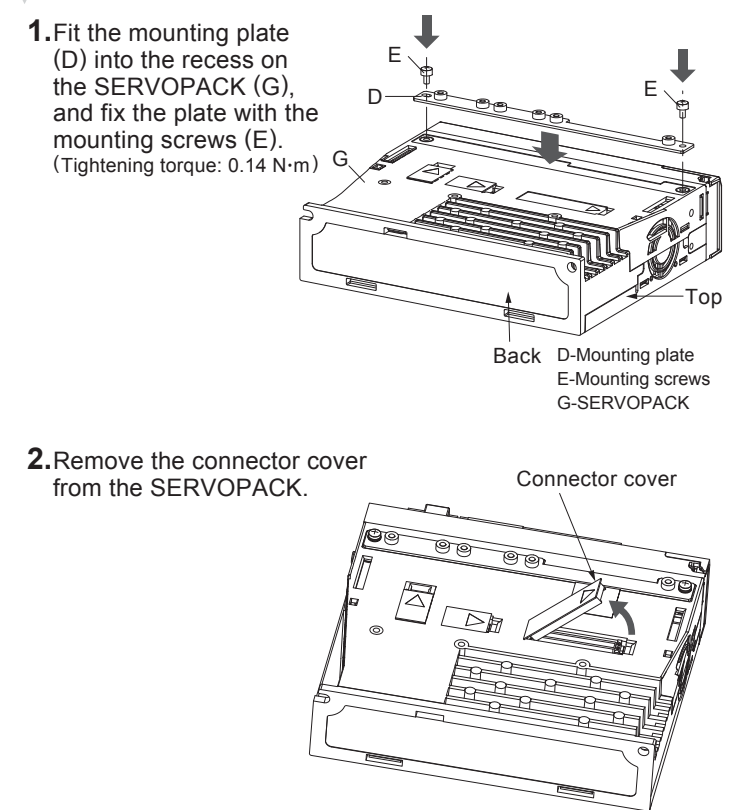
AC SERVOPACK
 Σ-V Series/
 Σ-V Series for Large-Capacity Models/
 Σ-7 Series
 Installation Guide
 DeviceNet Module

- IRUMA BUSINESS CENTER (SOLUTION CENTER)**
 480, Kamijigawa, Iruma, Saitama, 358-8555, Japan
 Phone: 81-4-2962-8151 Fax: 81-4-2962-6138
<http://www.yaskawa.co.jp>
- YASKAWA AMERICA, INC.**
 2121, Norman Drive South, Waukegan, IL 60085, U.S.A.
 Phone: 1-800-YASKAWA (927-5292) or 1-847-867-7000 Fax: 1-847-867-7310
<http://www.yaskawa.com>
- YASKAWA ELETRICO DO BRASIL LTDA.**
 777, Avenida Pirajóquina, Cadeima, São Paulo, 09920-000, Brazil
 Phone: 55-11-3685-1100 Fax: 55-11-3685-1187
<http://www.yaskawa.com.br>
- YASKAWA EUROPE GmbH**
 185, Hauptstraße, Eschborn, 65760, Germany
 Phone: 49-6196-569-300 Fax: 49-6196-569-398
<http://www.yaskawa.eu.com>
- YASKAWA ELECTRIC KOREA CORPORATION**
 36F, Three JFC, 10 Gajeongmyung-ro, Yongsong-gu, Seoul, 07326, Korea
 Phone: 82-2-784-7844 Fax: 82-2-784-8495
<http://www.yaskawa.co.kr>
- YASKAWA ELECTRIC (SINGAPORE) PTE. LTD.**
 151, Loring Close, #04-02A, New Tech Park, 556741, Singapore
 Phone: 65-6282-3003 Fax: 65-6289-3003
<http://www.yaskawa.com.sg>
- YASKAWA ELECTRIC (THAILAND) CO., LTD.**
 58, 1st-5th Floor, Flourish Building, Soi Ratchadapisek 18, Ratchadapisek Road, Huaykwang, Bangkok, 10310, Thailand
 Phone: 66-2-017-0089 Fax: 66-2-017-0799
<http://www.yaskawa.co.th>
- YASKAWA ELECTRIC (CHINA) CO., LTD.**
 22F, One Corporate Avenue, No.222, Hubin Road, Shanghai, 200021, China
 Phone: 86-21-5385-2200 Fax: 86-21-5385-3259
<http://www.yaskawa.com.cn>
- YASKAWA ELECTRIC (CHINA) CO., LTD. BEIJING OFFICE**
 Room 1011, Tower B02 Oriental Plaza, No.1, East Chang An Ave., Dong Cheng District, Beijing, 100738, China
 Phone: 86-10-6516-6086 Fax: 86-10-6516-6262
- YASKAWA ELECTRIC TAIWAN CORPORATION**
 9F, 16, Nankang E. Rd., Sec. 3, Taipei, 104, Taiwan
 Phone: 886-2-2502-5003 Fax: 886-2-2509-1280

INSTALLATION PROCEDURE

For large-capacity Σ-V SERVOPACKs, remove the module cover that is already attached to the SERVOPACK and start with step 3.

Preparing the SERVOPACK



This installation guide explains how to mount the DeviceNet module onto the Σ-V, large-capacity Σ-V or Σ-7 Series SERVOPACK. Read this installation guide thoroughly as well as the safety precautions (Manual No.: TOBP C720829 00) included with the product.

General Precautions

- The drawings presented in this instructions are sometimes shown without covers or protective guards. Always replace the equipment's cover or protective guard as specified first, and then operate the products in accordance with the user's manual.
- The drawings presented in this instructions are typical examples and may not match the product you received.
- These instructions are subject to change due to product improvement, specification modification, and instructions improvement. When these instructions are revised, the instructions code is updated and the new instructions is published as a next edition.
- If the instructions must be ordered due to loss or damage, inform your nearest Yaskawa representative or one of the offices listed on the back of this instructions.
- Yaskawa will not take responsibility for the results of unauthorized modifications of this product. Yaskawa shall not be liable for any damages or troubles resulting from unauthorized modification.

Safety Information

- The following conventions are used to indicate precautions in these instructions.
- Failure to heed these precautions can result in serious or possibly even fatal injury or damage to the products or to related equipment and systems.

WARNING Indicates precautions that, if not heeded, could possibly result in loss of life or serious injury.

CAUTION Indicates precautions that, if not heeded, could result in relatively serious or minor injury, damage to the product, or faulty operation.

In some situations, the precautions indicated could have serious consequences if not heeded.