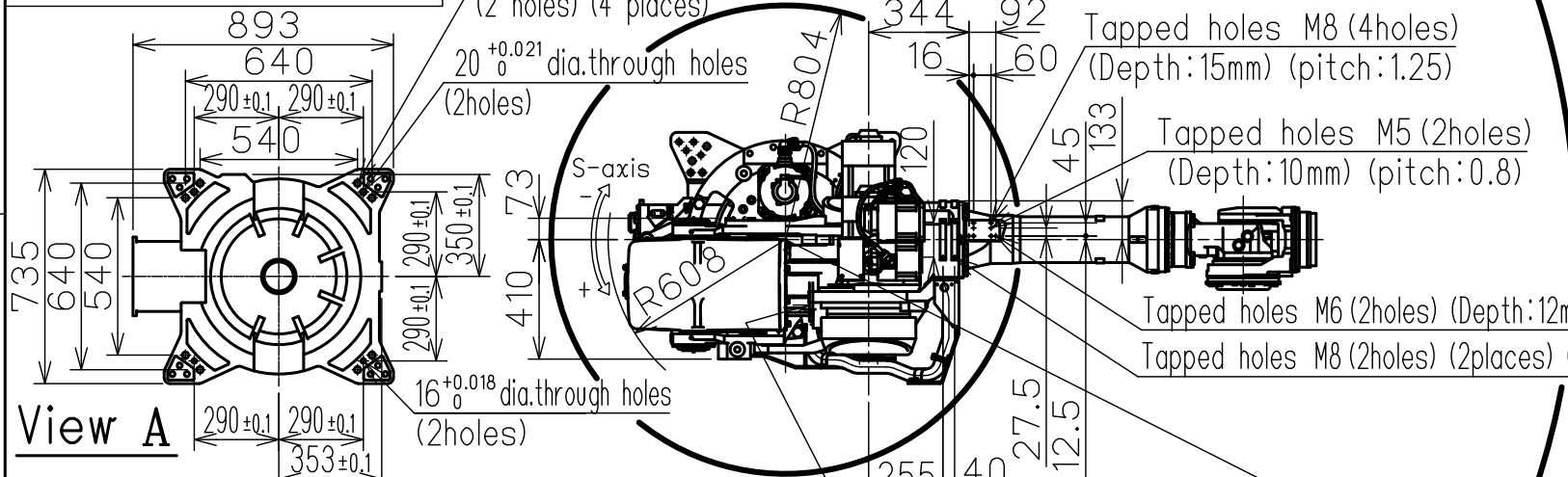
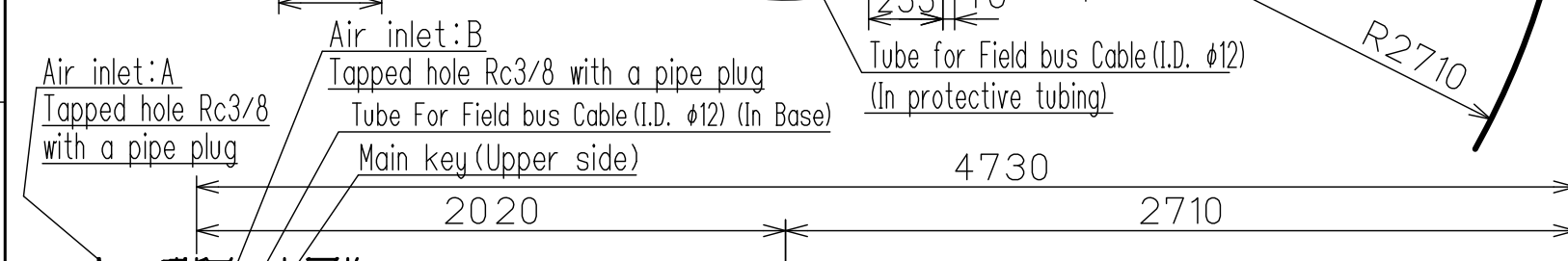


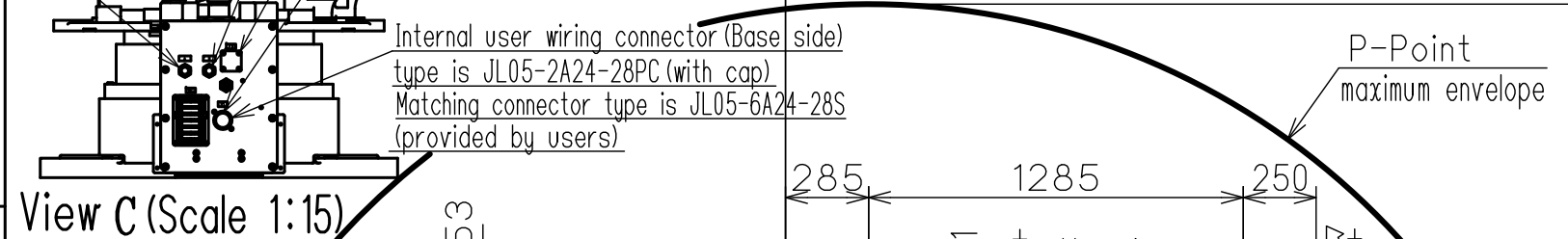
DWG.NO. HW1385430



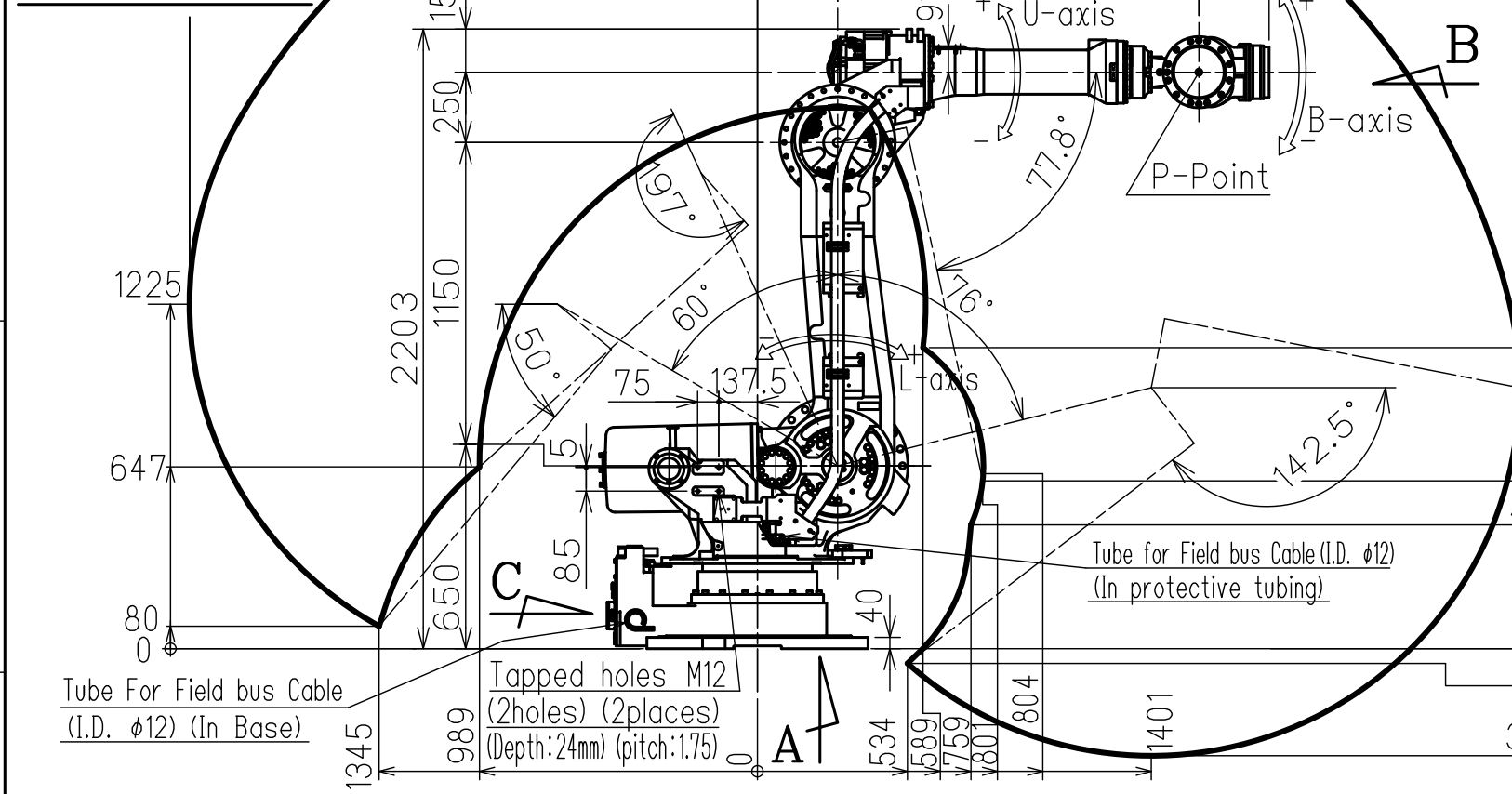
View A



View B (Scale 1:10)



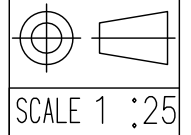
View C (Scale 1:15)



View D (Scale 1:8)

Note:
 1. All rights reserved.
 2. Please note that the data is subject to be deleted without advance notice.
 3. No warranty is given in relation to the data including the specification.
 4. We are not responsible for any damages or loss caused by the use of the data.

FOR STUDY PURPOSE ONLY



YASKAWA
 株式会社安川電機

Reference Drawing

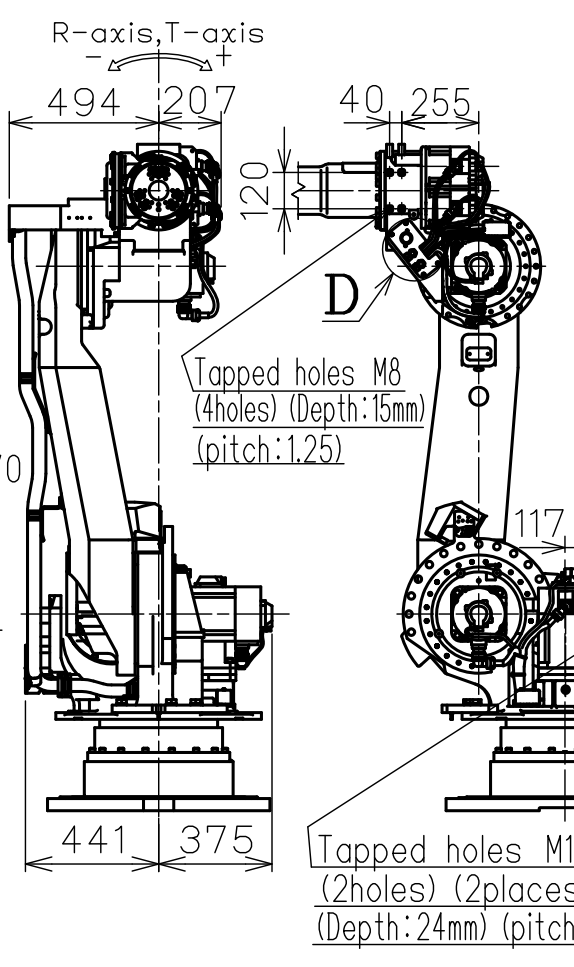
TITLE MOTOMAN-GP250
 DIMENSION DIAGRAM

DRWN DATE Oct.03.'17
 DWG.NO. HW1385430

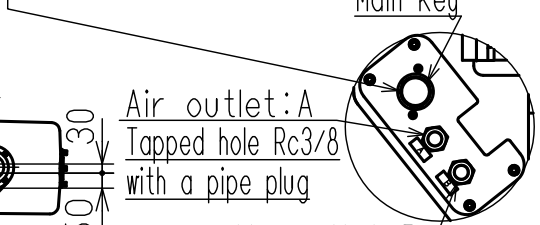
Item	Model	MOTOMAN-GP250
Configuration	Vertically articulated	
Degree of Freedom	6	
Payload	Wrist	250 kg
	On U-arm	50 kg
Repeatability (※1)	0.05 mm	
Range of Motion	S-Axis (Turning)	-180° - +180°
	L-Axis (Lower Arm)	-60° - +76°
	U-Axis (Upper Arm)	-77.8° - +197°
	R-Axis (Roll)	-360° - +360°
	B-Axis (Pitch/Yaw)	-125° - +125°
	T-Axis (Twist)	-360° - +360°
Max Speed	S-Axis	1.75 rad/s, 100°/s
	L-Axis	1.57 rad/s, 90°/s
	U-Axis	1.69 rad/s, 97°/s
	R-Axis	2.09 rad/s, 120°/s
	B-Axis	2.09 rad/s, 120°/s
	T-Axis	3.32 rad/s, 190°/s
Allowable Moment	R-Axis	1385 N·m (141 kgf·m)
	B-Axis	1385 N·m (141 kgf·m)
	T-Axis	735 N·m (75 kgf·m)
Allowable Inertia (GD ² /4)	R-Axis	317 kg·m ²
	B-Axis	317 kg·m ²
	T-Axis	200 kg·m ²
Approx. Robot mass	1345 kg	
Protected structure	Body: IP54 Wrist: IP67	
Mounting method	Floor-mounted	
Ambient Conditions	Temperature	0°C to +45°C
	Humidity	20%RH to 80%RH (Non-condensing)
	Vibration	4.9m/s ² (0.5G) or less
	Altitude	1000m or less
	Flatness for installation	0.5mm or less
	Others	<ul style="list-style-type: none"> Free from dirt, dust, oil, soot, or water. Free from explosive and corrosive gas or liquid. Free from excessive electrical noise (plasma). Free from strong magnetic fields.
Power Requirements	5.0KVA	
Controller	YRC1000	

※1 Repeatability is conformed to ISO 9283. Units: mm
 ※2 The manipulator is in the home position.

Pin details for internal user wiring harness (Casing side/Base side)



Internal user wiring connector (Casing side) type is JL05-2A24-28SC (with cap) Matching connector type is JL05-6A24-28P (provided by users)



Air outlet: A Tapped hole Rc3/8 with a pipe plug
 Air outlet: B Tapped hole Rc3/8 with a pipe plug

Type	Note
YR-1-06VX250-A00	STANDARD

SIZE A3