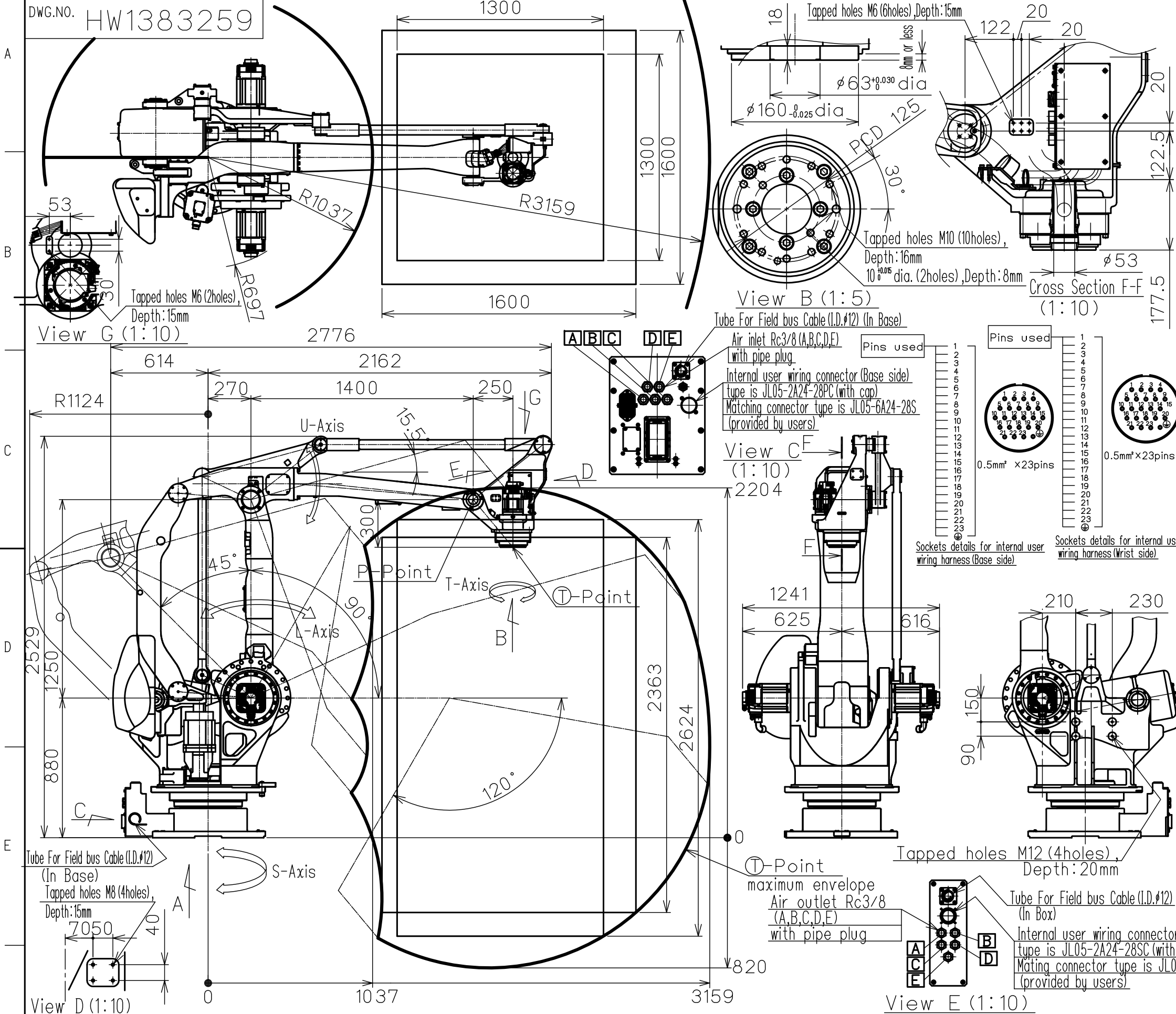


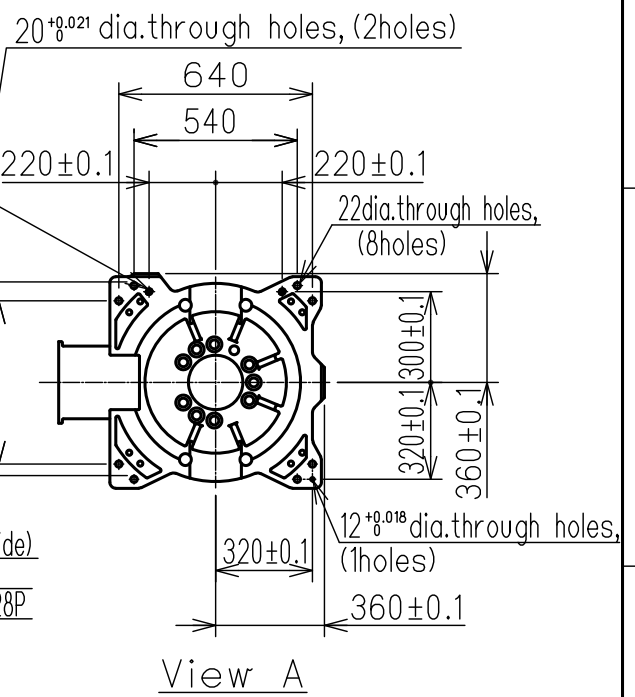
DWG.NO. HW1383259



Item	Model	MOTOMAN-MPL300II
Configuration		Articulated Robot
Degree of Freedom		4
Payload		300kg
Repeatability		±0.5 mm
Range of Motion	S-Axis (Turning)	-180° - +180°
	L-Axis (Lower Arm)	-45° - +90°
	U-Axis (Upper Arm)	-120° - +15.5°
	T-Axis (Twist)	-360° - +360°
Max Speed	S-Axis	1.57rad/s, 90°/s
	L-Axis	1.75rad/s, 100°/s
	U-Axis	1.92rad/s, 110°/s
	T-Axis	3.40rad/s, 195°/s
Allowable Inertia (GD ² /4)	T-Axis	140kg·m ²
Approx. Robot mass		1820kg
Ambient Conditions	Temperature	0 TO 45°C
	Humidity	20 TO 80%RH (Non-condensing)
	Vibration	Less than 4.9m/s ² (0.5G)
	Others	•Free from explosive or corrosive gas and liquid of water •Free from electrical noise
Power Requirements		8.0KVA

SI units are used in this table. However, gravitational units are used in (). Repeatability is conformed to ISO 9283.

Type	Note
YR-MPL0300-J00	Standard



Note:
 1. All rights reserved.
 2. Please note that the data is subject to be deleted without advance notice.
 3. Any accuracy is given in relation to the data including the specification.
 4. We are not responsible for any damages or loss caused by the use of the data.

FOR STUDY PURPOSE ONLY

SCALE 1:25



Reference Drawing

TITLE MOTOMAN-MPL300II
 DIMENSION DIAGRAM

DWG.NO. HW1383259

SIZE A3