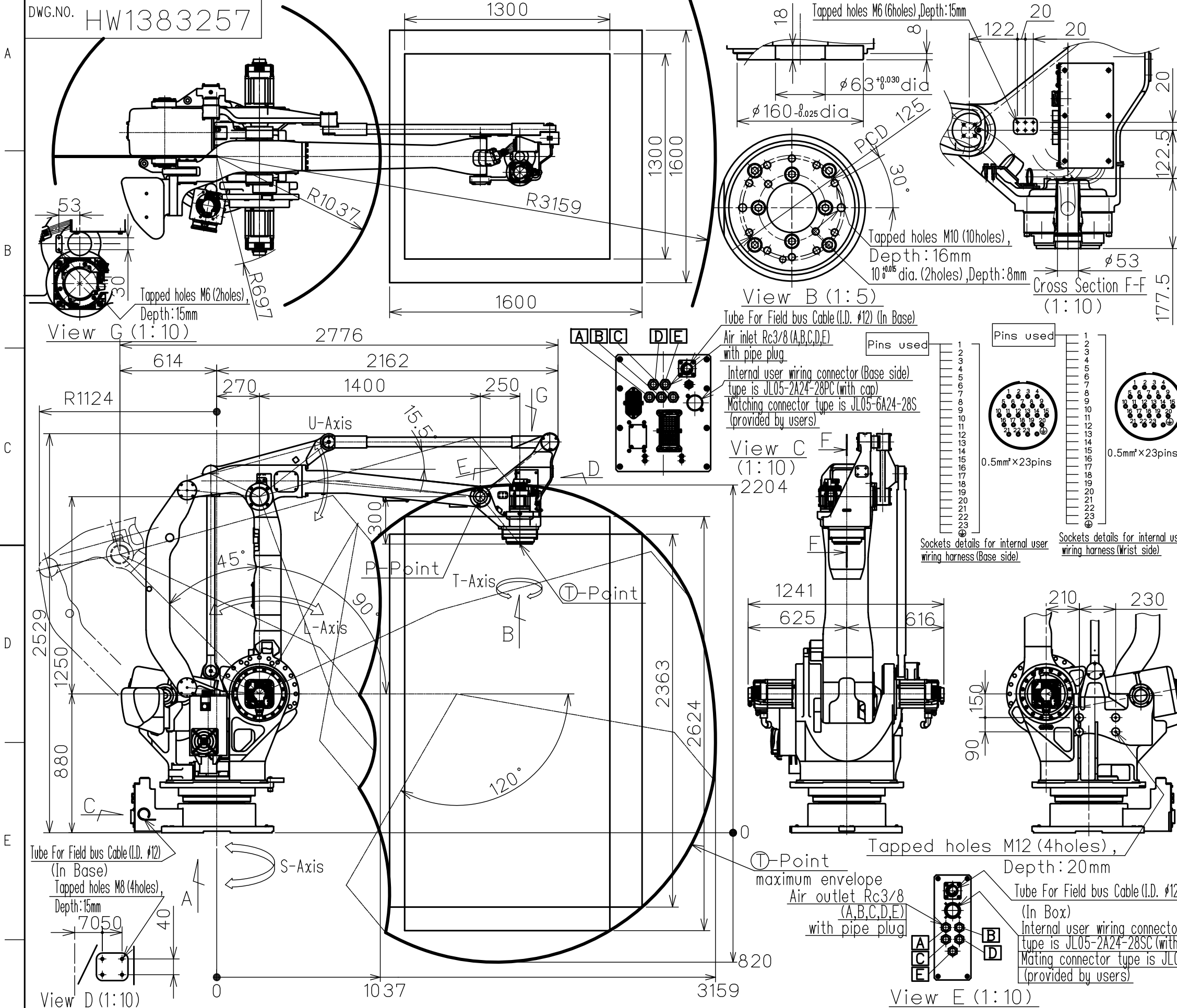


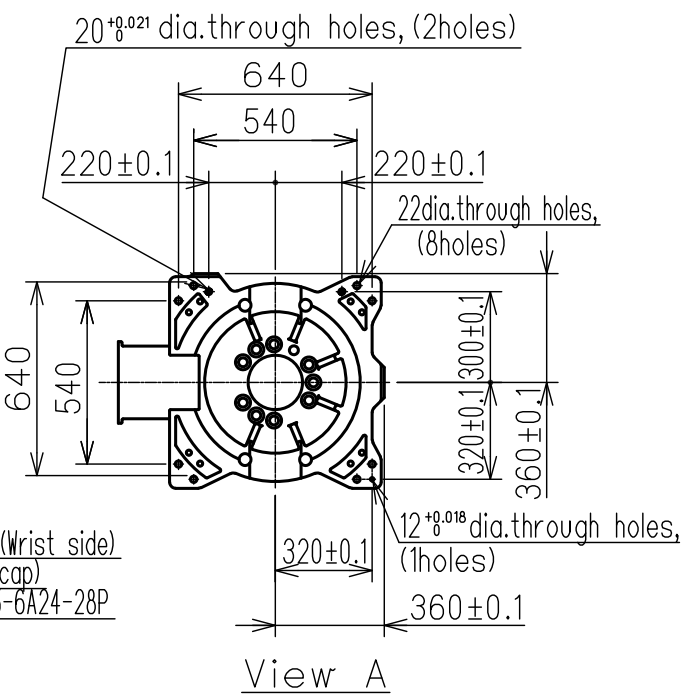
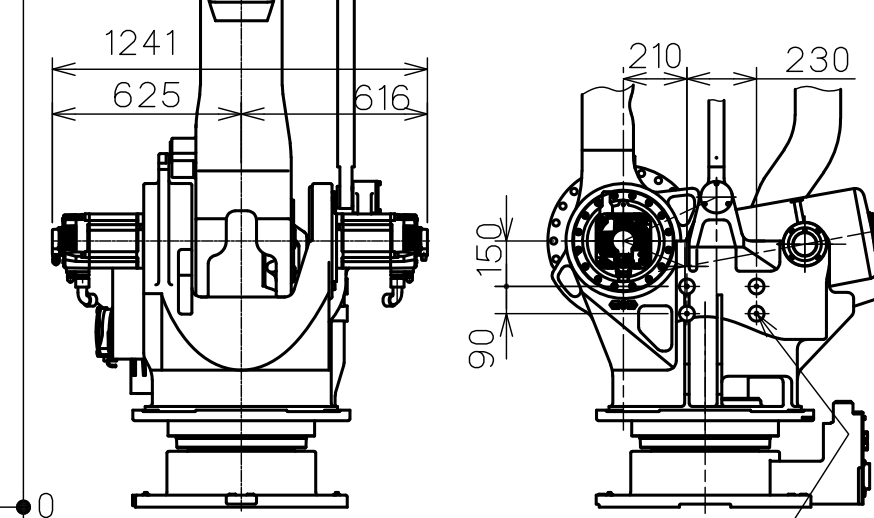
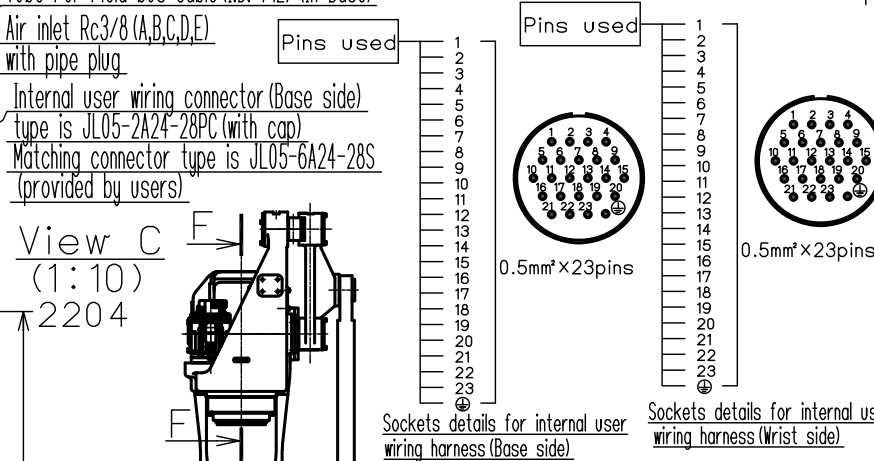
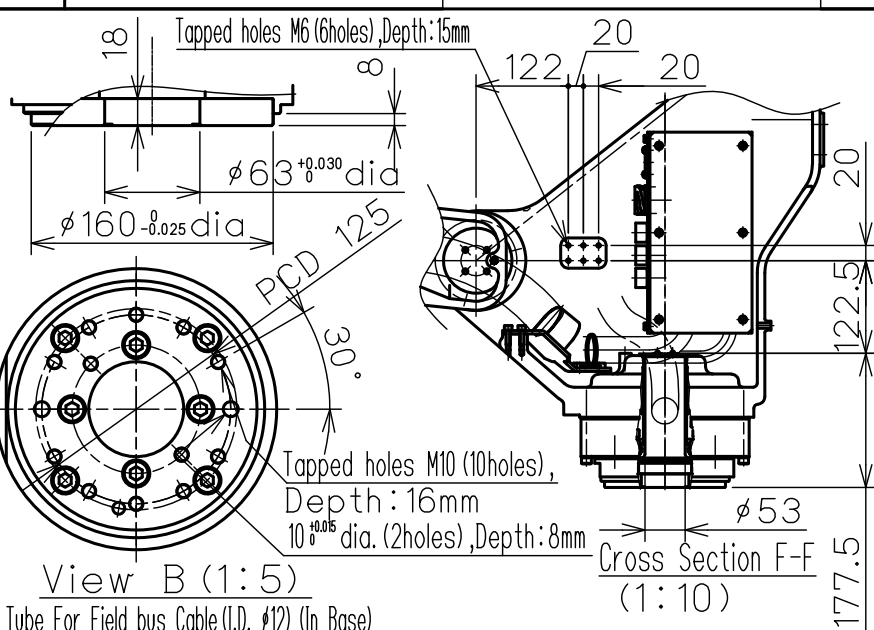
DWG.NO. HW1383257



Item	Model	MOTOMAN-MPL160II
Configuration	Articulated Robot	
Degree of Freedom	4	
Payload	160kg	
Repeatability	±0.5 mm	
Range of Motion	S-Axis (Turning)	-180° - +180°
	L-Axis (Lower Arm)	-45° - +90°
	U-Axis (Upper Arm)	-120° - +15.5°
	T-Axis (Twist)	-360° - +360°
Max Speed	S-Axis	2.44rad/s, 140°/s
	L-Axis	2.44rad/s, 140°/s
	U-Axis	2.44rad/s, 140°/s
	T-Axis	5.32rad/s, 305°/s
Allowable Inertia (GD ² /4)	T-Axis	80kg·m ²
Approx. Robot mass	1700kg	
Ambient Conditions	Temperature	0 TO 45°C
	Humidity	20 TO 80% RH (Non-condensing)
	Vibration	Less than 4.9m/s ² (0.5G)
	Others	<ul style="list-style-type: none"> Free from explosive or corrosive gas and liquid Free from dust, oil, of water Free from electrical noise
Power Requirements	8.0KVA	

SI units are used in this table. However, gravitational units are uses in (). Repeatability is conformed to ISO 9283.

Type	Note
YR-MPL0160-J00	Standard (Built-In Tube For Field bus Cable)



Note:
 1. All rights reserved.
 2. Please note that the data is subject to be deleted without advance notice.
 3. No warranty is given in relation to the data including the specification.
 4. We are not responsible for any damages or loss caused by the use of the data.

FOR STUDY PURPOSE ONLY

SCALE 1:25



Reference Drawing

TITLE MOTOMAN-MPL160II
 DIMENSION DIAGRAM

DWG.NO. HW1383257

SIZE A3