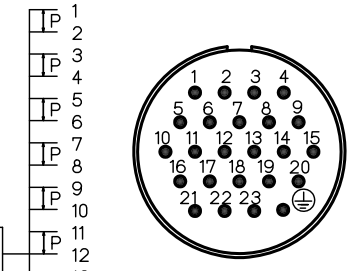
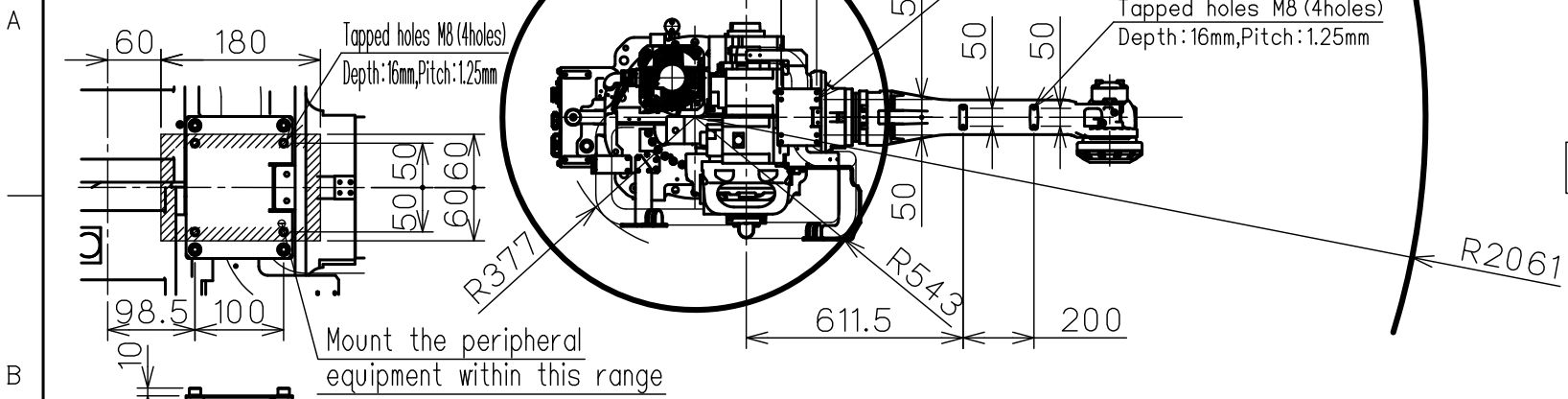
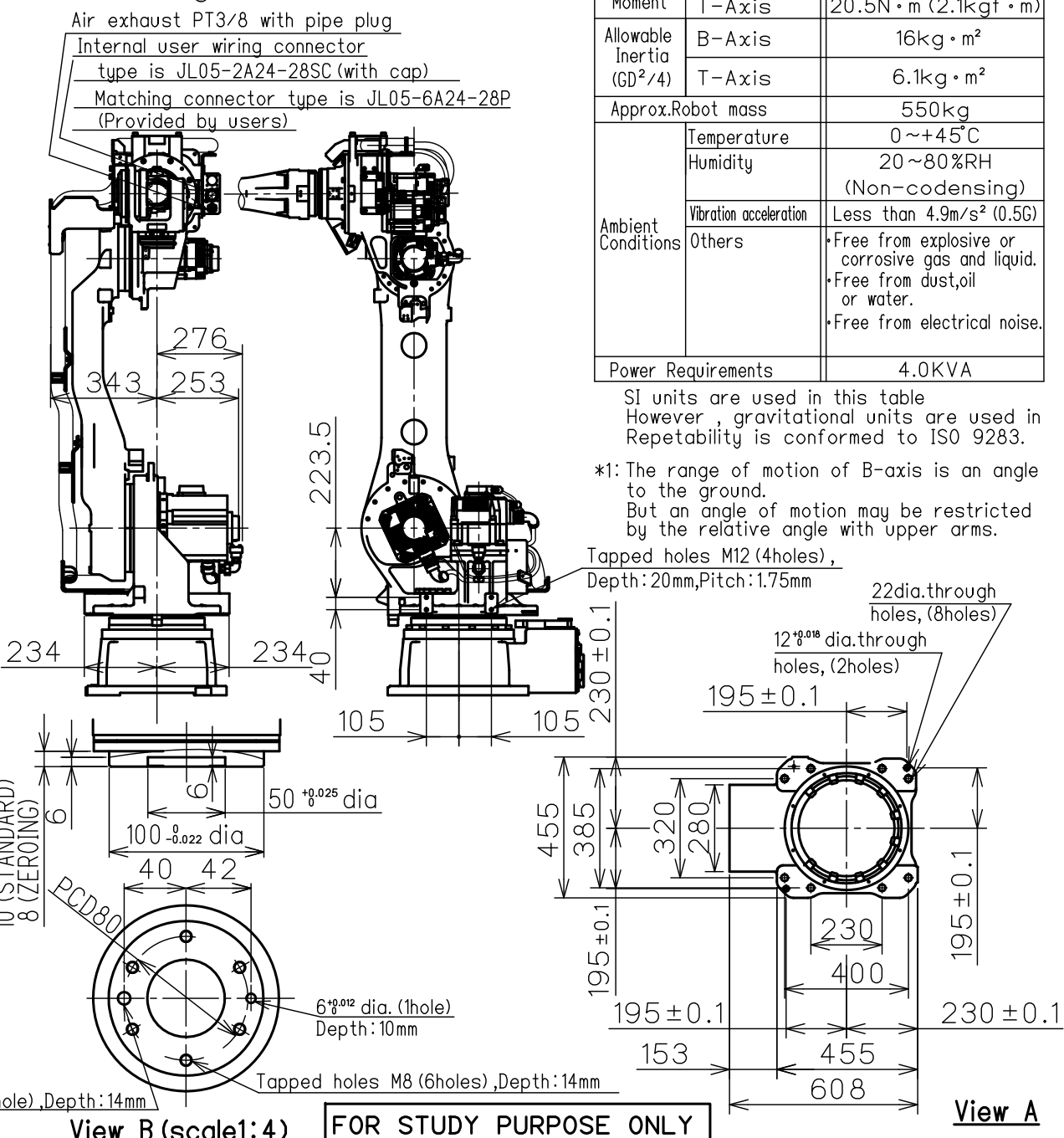
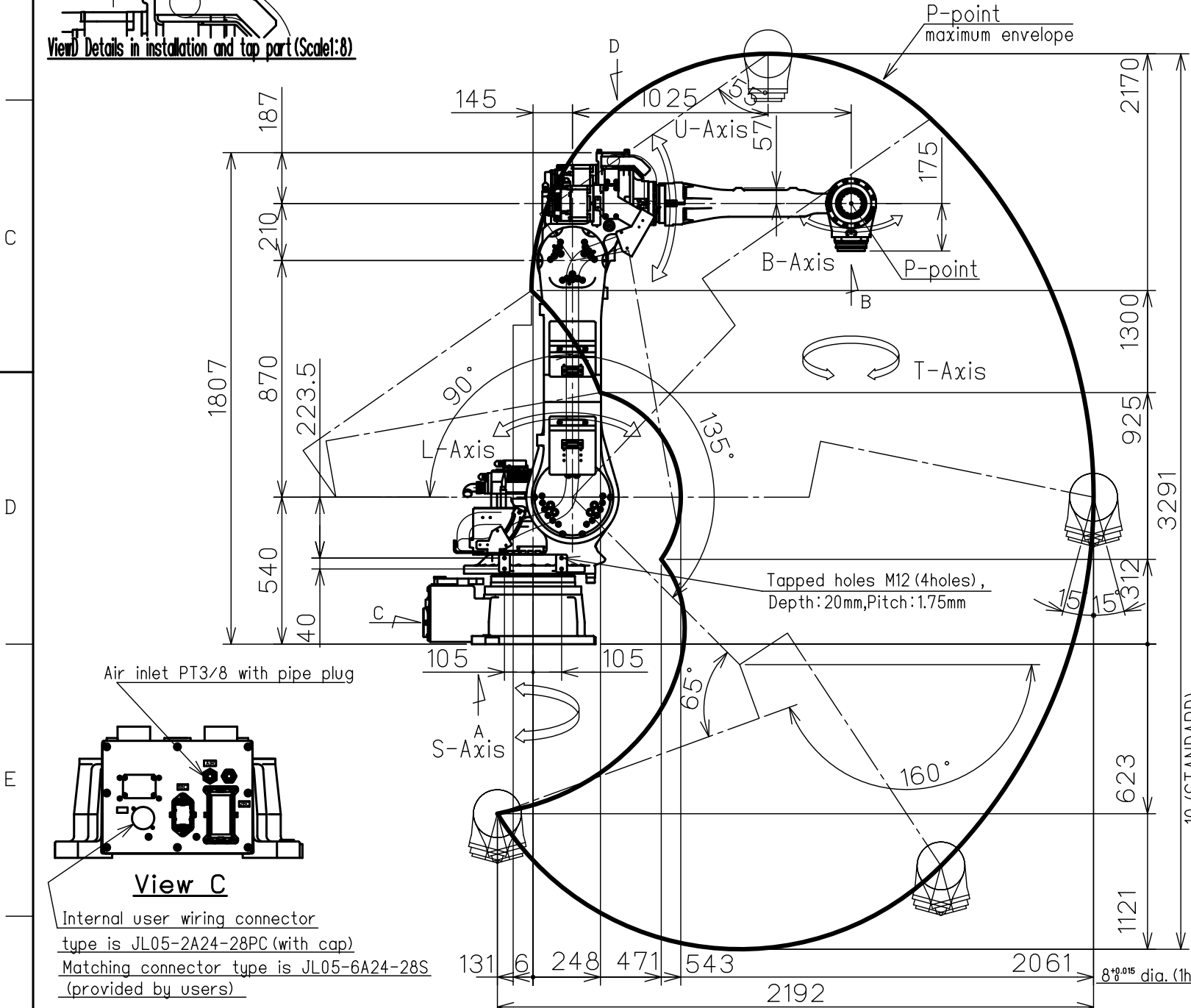


DWG.NO.HW0389944



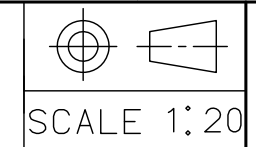
Type	Note
YR-MPL0080-A00	STANDARD
YR-MPL0080-B00	ZEROING

Item	Model	MOTOMAN-MPL80
Configuration		Articulated Robot
Degree of Freedom		5
Payload		80 kg
Repeatability		±0.07mm
Range of Motion	S-Axis	±180°
	L-Axis	+135° -90°
	U-Axis	+35° -160°
	B-Axis	±15° *1
	T-Axis	±360°
Max Speed	S-Axis	2.97rad/s, 170°/s
	L-Axis	2.97rad/s, 170°/s
	U-Axis	2.97rad/s, 170°/s
	B-Axis	2.97rad/s, 170°/s
	T-Axis	6.11rad/s, 350°/s
Allowable Moment	B-Axis	78.4N·m (8kgf·m)
	T-Axis	20.5N·m (2.1kgf·m)
Allowable Inertia (GD ² /4)	B-Axis	16kg·m ²
	T-Axis	6.1kg·m ²
Approx. Robot mass		550kg
Ambient Conditions	Temperature	0~+45°C
	Humidity	20~80%RH (Non-condensing)
	Vibration acceleration	Less than 4.9m/s ² (0.5G)
	Others	<ul style="list-style-type: none"> Free from explosive or corrosive gas and liquid. Free from dust, oil or water. Free from electrical noise.
	Power Requirements	



Note:

- All rights reserved.
- Please note that the data is subject to be deleted without advance notice.
- No warranty is given in relation to the data including the specification.
- We are not responsible for any damages or loss caused by the use of the data.



Reference Drawing

TITLE MOTOMAN-MPL80
DIMENSION DIAGRAM

DWG.NO. HW0389944

REV. 3