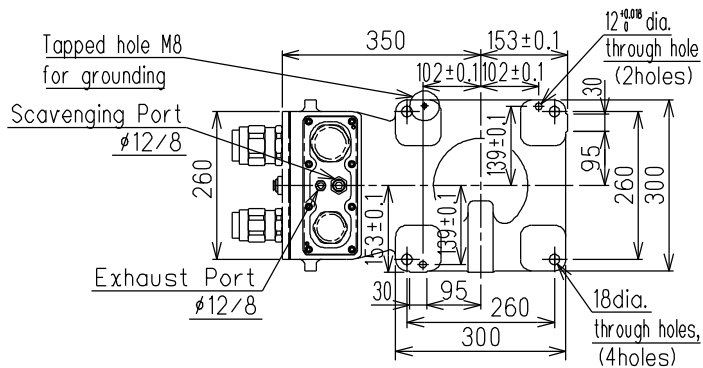
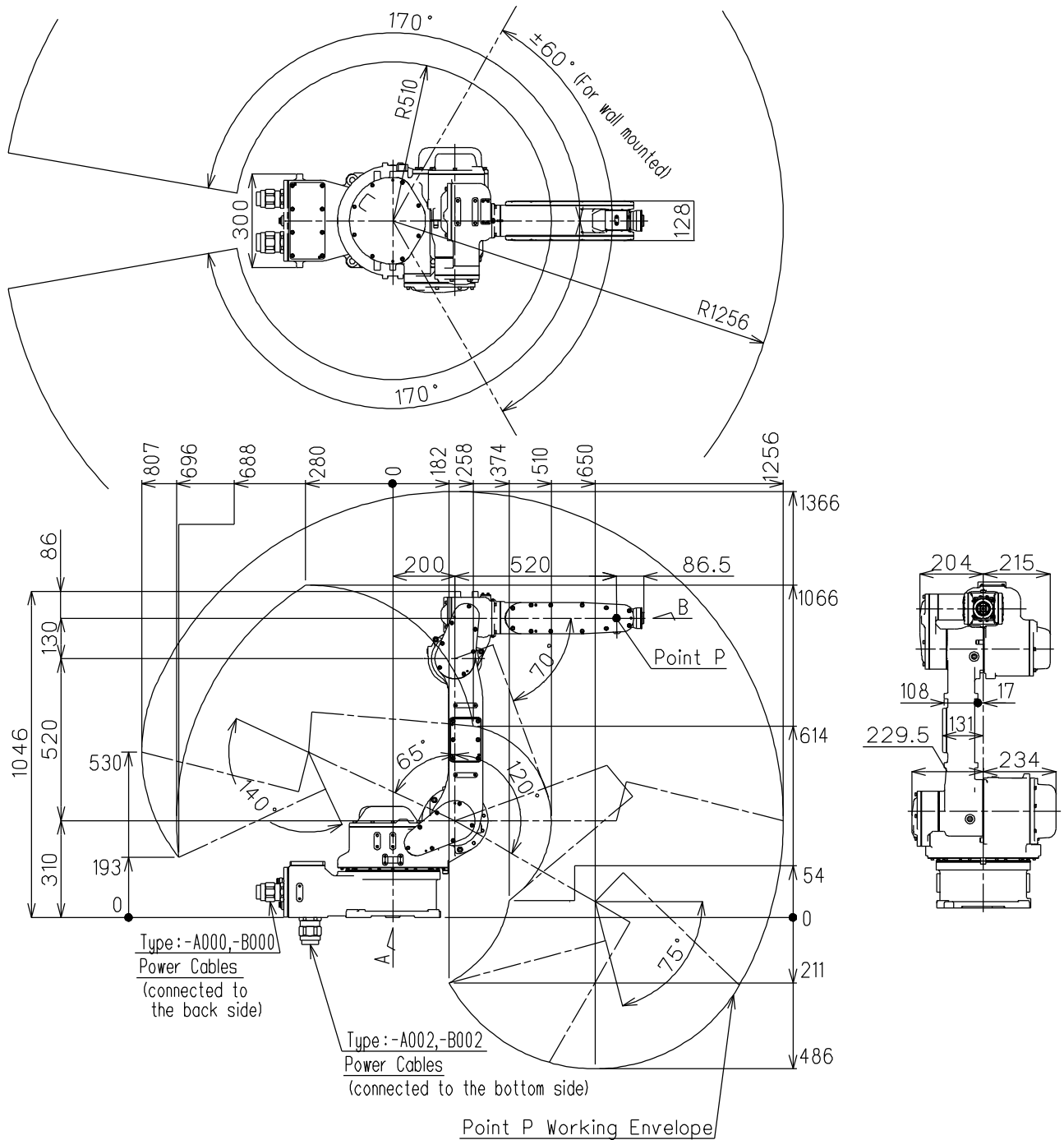
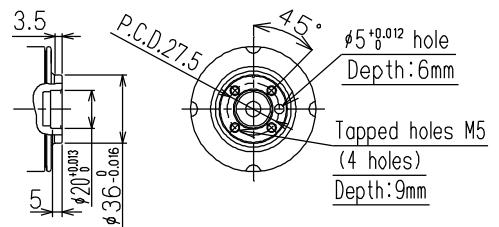


(2) Dimension Diagram



View A: Enlarged view of base



View B: Detail of Wrist Flange

(3) Manipulator Specifications

Item	Model	MOTOMAN-EPX1250
Type		YR-EPX1250-*000
Structure		Vertically Articulated
Degree of freedom		6
Payload		5 kg
Maximum reach		1256 mm
Repeatability		±0.15 mm
Range of motion	S-axis	-170° - +170° (For wall mounted : -60° - +60°)
	L-axis	-65° - +120°
	U-axis	-165° - +205°
	R-axis	-190° - +190°
	B-axis	-145° - +145°
	T-axis	-360° - +360°
Max. Spd.	S-axis	3.23 rad/s, 185°/s
	L-axis	3.23 rad/s, 185°/s
	U-axis	3.23 rad/s, 185°/s
	R-axis	6.28 rad/s, 360°/s
	B-axis	7.16 rad/s, 410°/s
	T-axis	8.73 rad/s, 500°/s
Allowable moment	R-axis	8.0 N · m (0.82 kgf · m)
	B-axis	8.0 N · m (0.82 kgf · m)
	T-axis	3.0 N · m (0.3 kgf · m)
Allowable inertia	R-axis	0.20 kg · m ²
	B-axis	0.20 kg · m ²
	T-axis	0.07 kg · m ²
Approx. mass		110 kg
Explosion-proof structure		Japanese standards, Power ON/Power OFF: fia2G4 / ia2G4 FM standards, Power ON/Power OFF: pressurization / intrinsic safety
Paint color		Yaskawa blue
Power requirements		1.5 kVA
Way of mounting		Floor-mounted, wall-mounted, ceiling-mounted
Manipulator cable		Standard: 8m, maximum: 30 m

●SI units are used in this table. However, gravitational unit is used in ().

*1 Repeatability conforms to ISO9283

*2 Display method and contents on explosion-proof construction.

	For Japanese Standards	For FM Standards
Pressurized type of explosion-proof	f	pressurization
Intrinsic safety	ia	intrinsic safety
Flameproof grade explosion class	2	Class I , Division1, Groups C and D
Ignition group	G4	T4