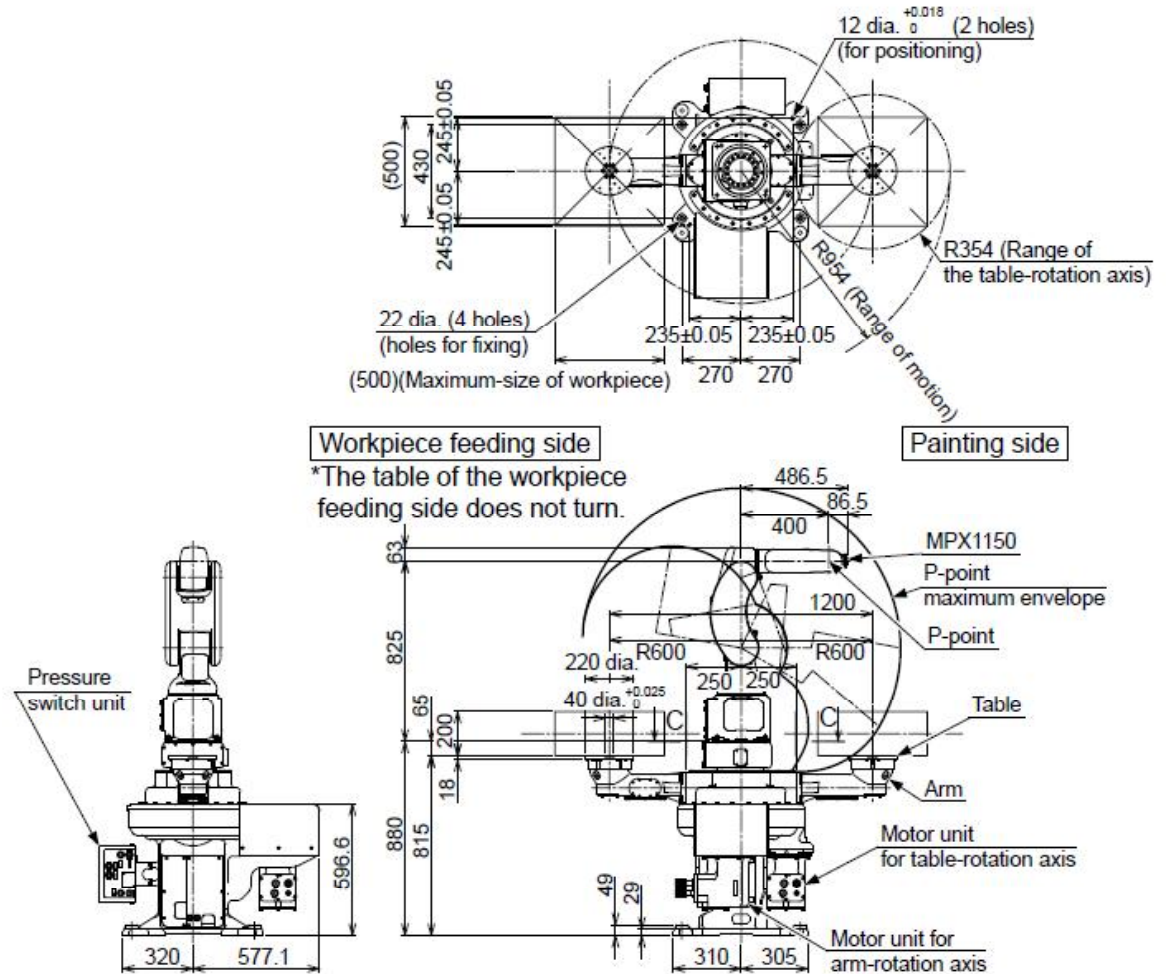


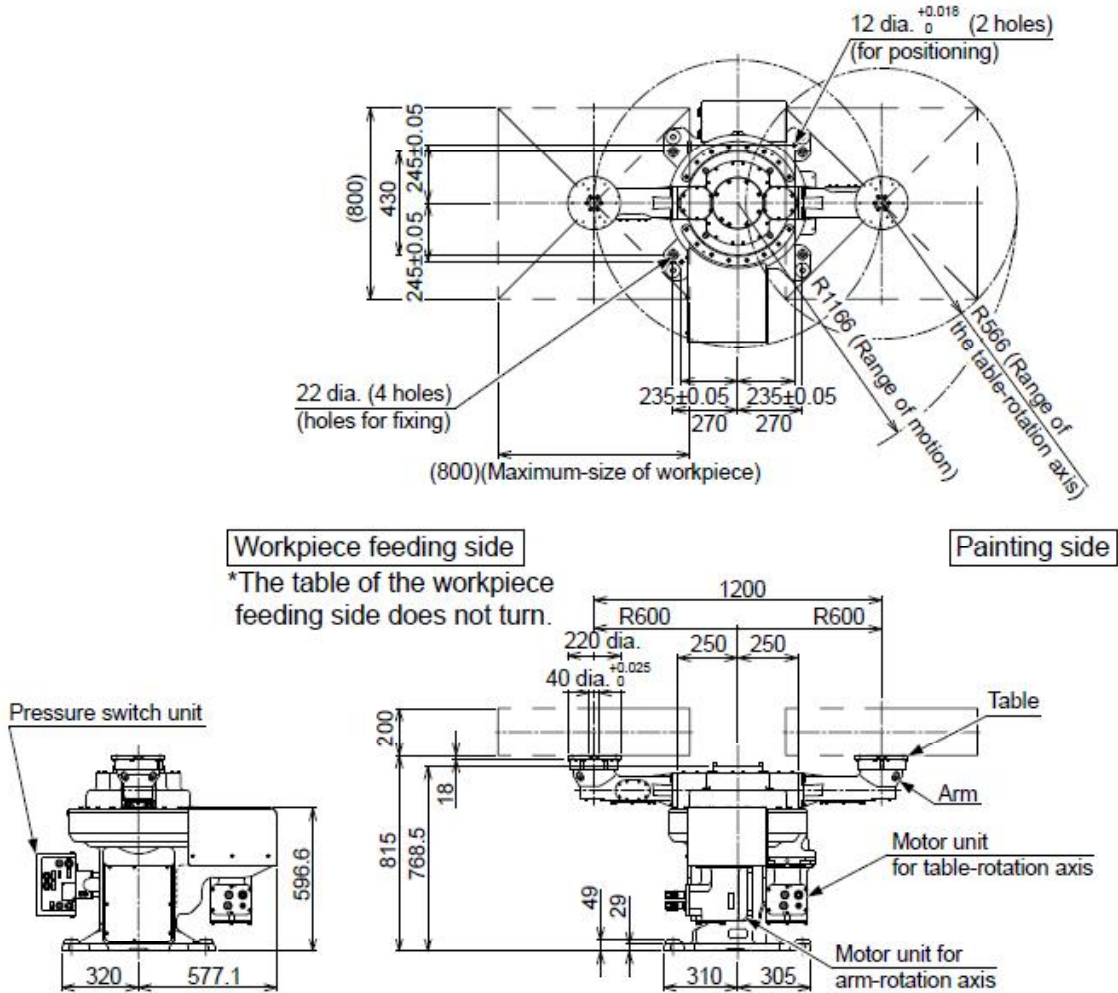
5. Dimensions and operating range of MOTOFEEDER II

5.1. MOTOMAN-MPX 1150 mounting specification: table pitch 1200 mm specification



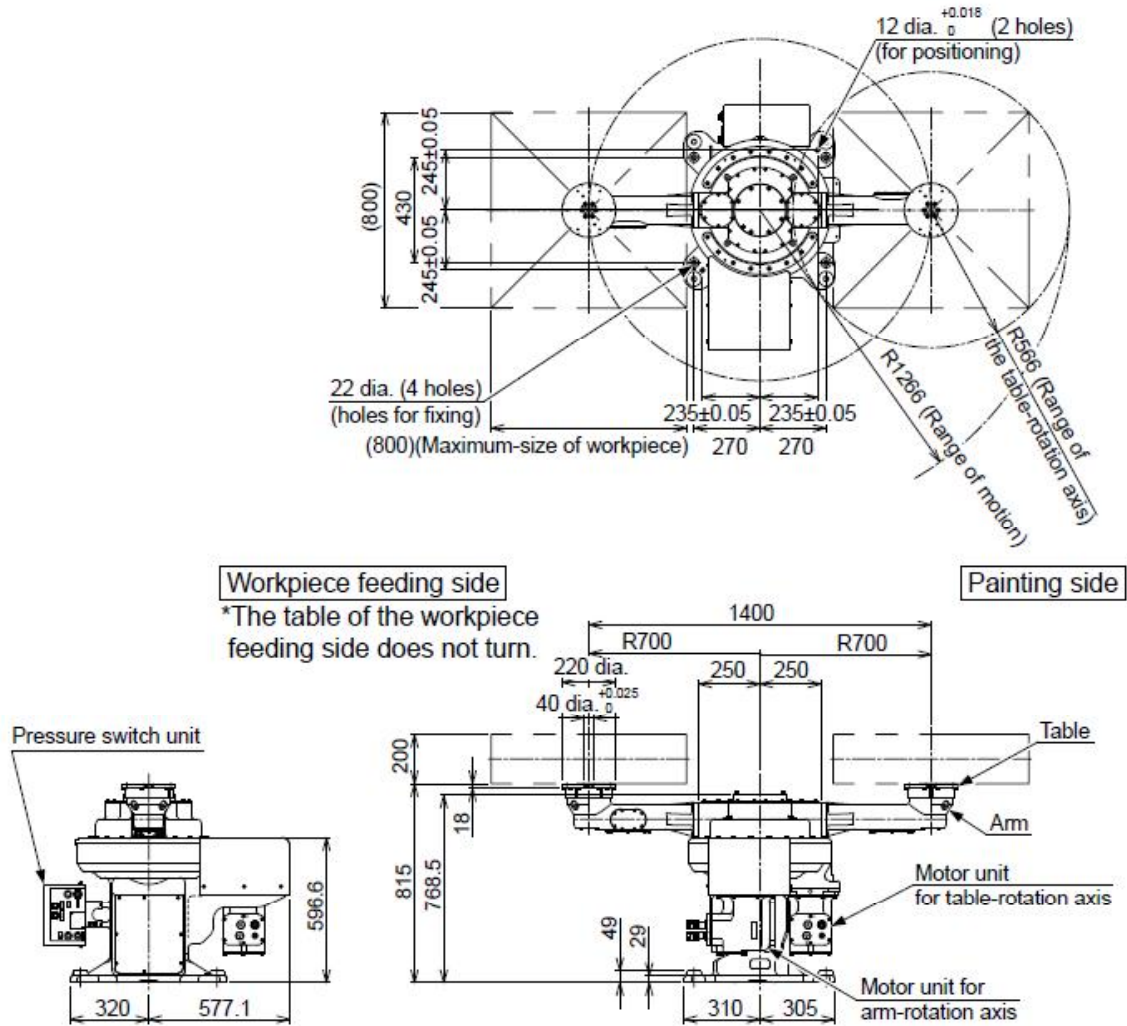
TYPE	PAYLOAD	Explosion-Proof Indication
YR-MF412AD-A00	40 kg	TIIS
YR-MF212AD-A00	20 kg	
YR-MF412AD-B00	40 kg	FM
YR-MF212AD-B00	20 kg	
YR-MF412AD-C00	40 kg	ATEX
YR-MF212AD-C00	20 kg	

5.2. Table pitch 1200 mm specification



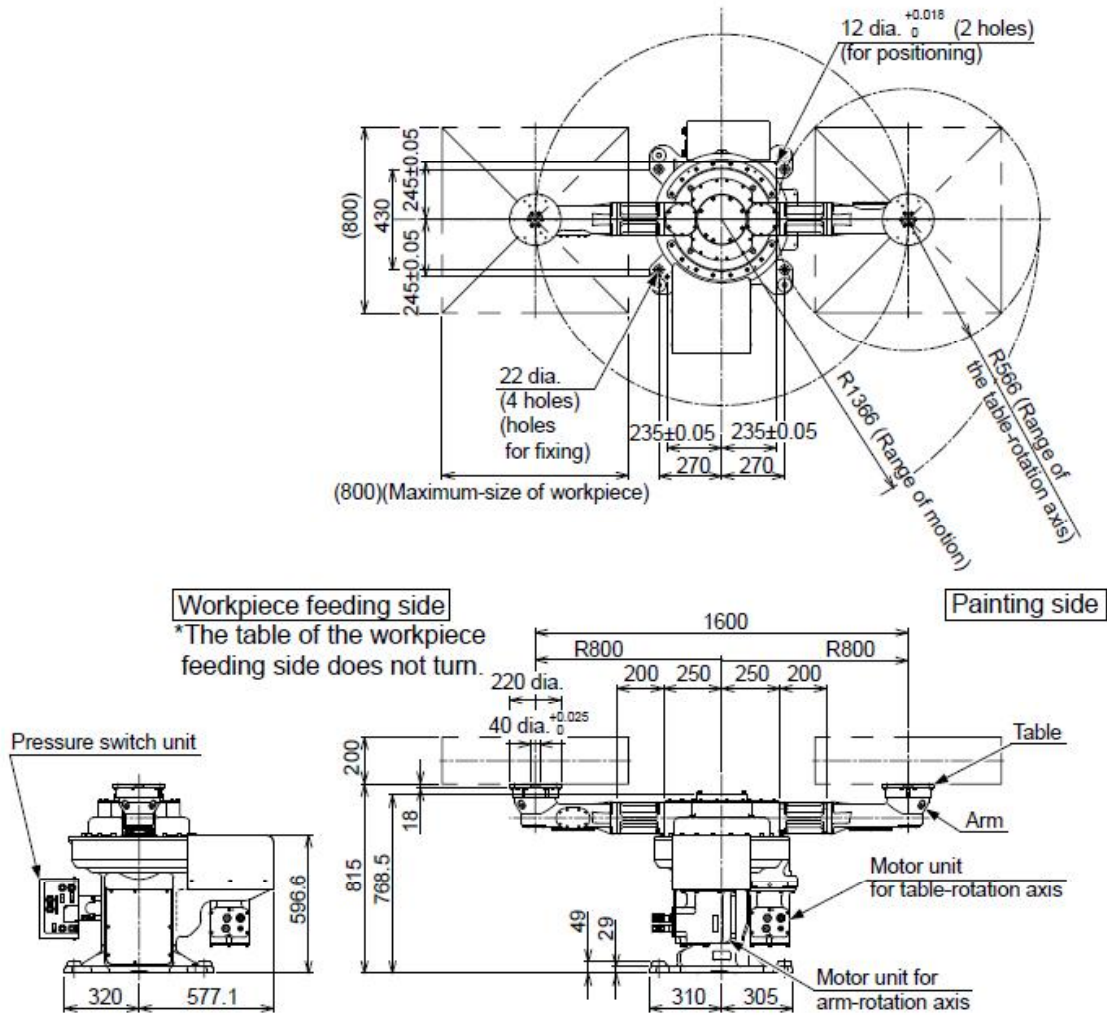
TYPE	PAYLOAD	Explosion-Proof Indication
YR-MF412BD-A00	40 kg	TIIS
YR-MF212BD-A00	20 kg	
YR-MF412BD-B00	40 kg	FM
YR-MF212BD-B00	20 kg	
YR-MF412BD-C00	40 kg	ATEX
YR-MF212BD-C00	20 kg	

5.3. Table pitch 1400 mm specification



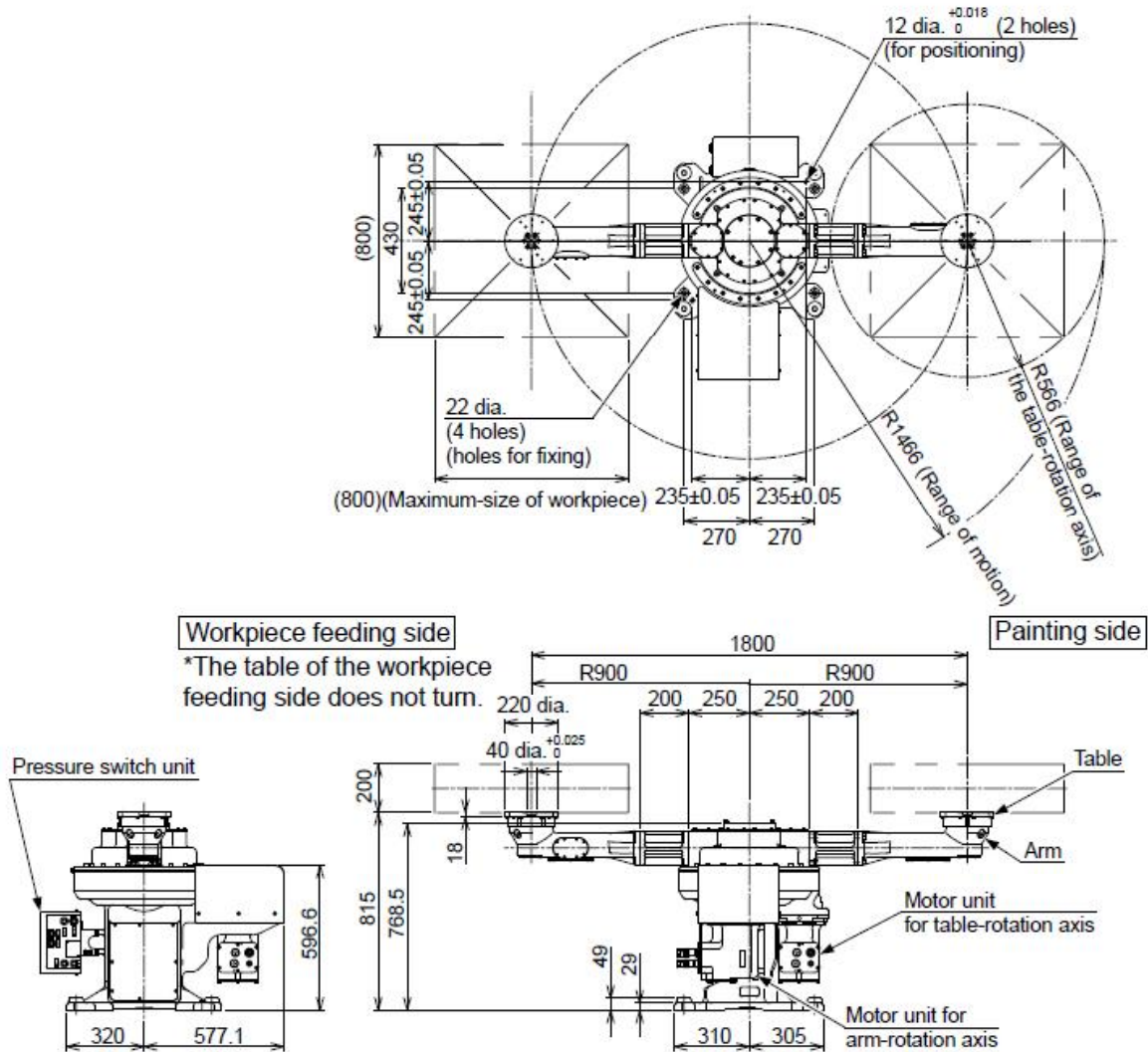
TYPE	PAYLOAD	Explosion-Proof Indication
YR-MF414BD-A00	40 kg	TIIS
YR-MF214BD-A00	20 kg	
YR-MF414BD-B00	40 kg	FM
YR-MF214BD-B00	20 kg	
YR-MF414BD-C00	40 kg	ATEX
YR-MF214BD-C00	20 kg	

5.4. Table pitch 1600 mm specification



TYPE	PAYLOAD	Explosion-Proof Indication
YR-MF416BD-A00	40 kg	TIIS
YR-MF216BD-A00	20 kg	
YR-MF416BD-B00	40 kg	FM
YR-MF216BD-B00	20 kg	
YR-MF416BD-C00	40 kg	ATEX
YR-MF216BD-C00	20 kg	

5.5. Table pitch 1800 mm specification



TYPE	PAYLOAD	Explosion-Proof Indication
YR-MF418BD-A00	40 kg	TIIS
YR-MF218BD-A00	20 kg	
YR-MF418BD-B00	40 kg	FM
YR-MF218BD-B00	20 kg	
YR-MF418BD-C00	40 kg	ATEX
YR-MF218BD-C00	20 kg	

6. Jig mounting details

When installing the jig, it is recommended that the table and jig be positioned using the inner knock and knock pin or knock pin × 2 locations. Please prepare the knock pin at the customer.

Fig. Detail view of jig mounting section

