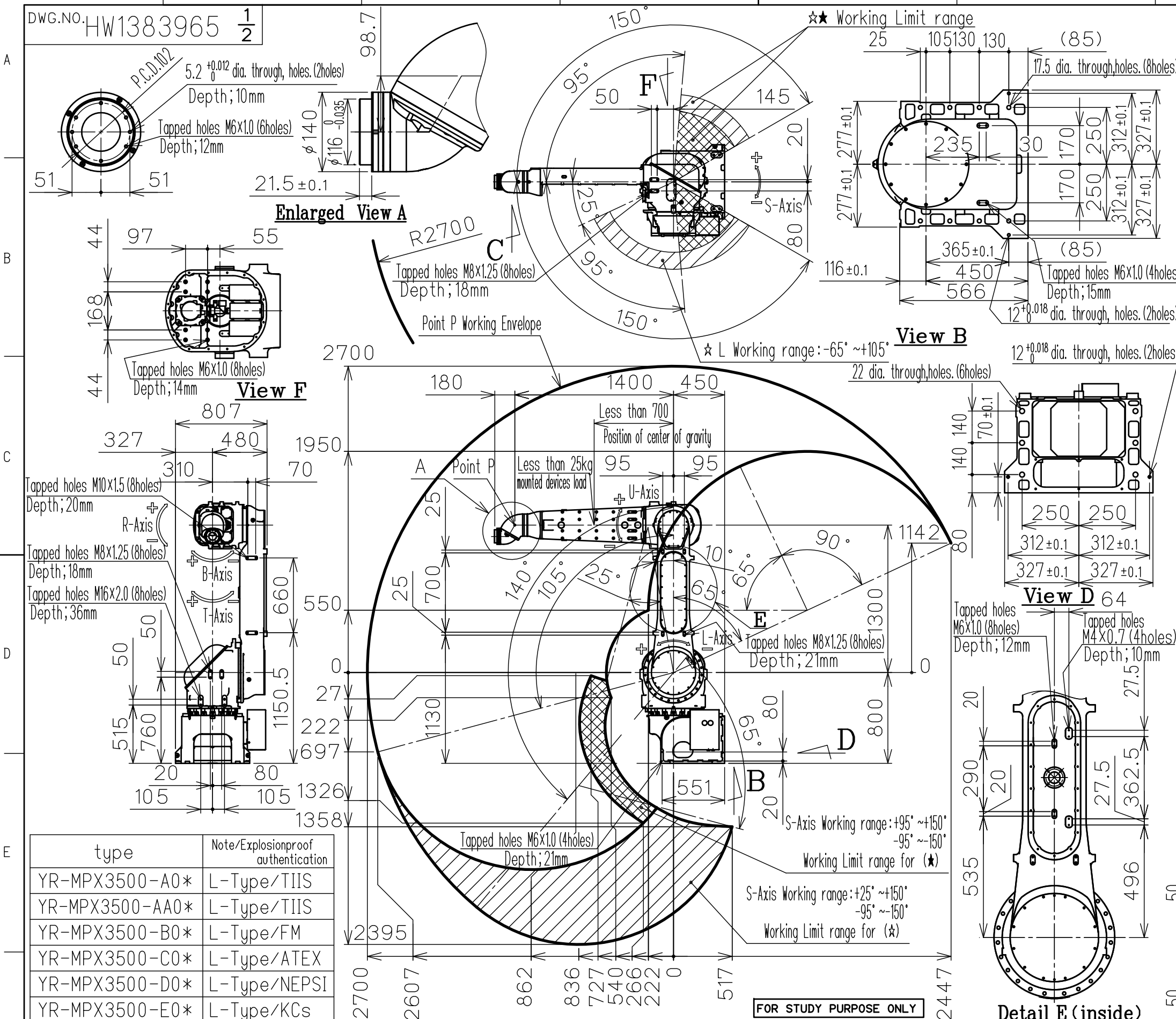
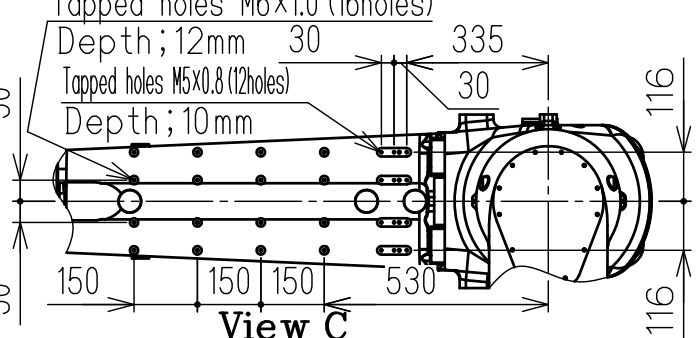


DWG.NO. HW1383965 1/2



Model		MOTOMAN-MPX3500
Item	Structure	Articulated Robot
	Degree of Freedom	6
	Payload (mass)	15kg
	Repetitive Positioning Accuracy	±0.15mm
Max.Motion Range	S-Axis (Turning)	+150° ~ -150°
	L-Axis (Lower Arm)	+140° ~ -65°
	U-Axis (Upper Arm, Lower Arm)	+90° ~ -65°
	R-Axis (Roll)	+720° ~ -720°
	B-Axis (Pitch/Yaw)	+720° ~ -720°
	T-Axis (Twist)	+720° ~ -720°
	Max.Speed	2m/s
	Wrist hollow diameter	φ70
Allowable Moment	R-Axis	93.2N·m (9.5kgf·m)
	B-Axis	58.8N·m (6.0kgf·m)
	T-Axis	19.6N·m (2.0kgf·m)
Allowable Inertia (GD ² /4)	R-Axis	3.75kg·m ²
	B-Axis	2.225kg·m ²
	T-Axis	0.20kg·m
	Approx.Robot mass	590kg
Location	Ambient Temperature	0 ~ +40°C
	Relative Humidity	20~80%RH (Non-condensing)
	Vibration	Less than 4.9m/s ² (0.5G)
	Others	To be no electric noise factor near.
	Power Supply	3.0KVA

This table is written in SI units. But numbers in () are written in Gravity units. Repetitive Positioning Accuracy is based on ISO 9283. The robot position shown in this drawing is the original position. How the communication cables (CC-LINK, Devicenet, Ethernet (or EtherCAT or PROFINET)) are connected is shown in the wiring diagram in the user manual.



type	Note/Explosionproof authentication
YR-MPX3500-A0*	L-Type/TIIS
YR-MPX3500-AA0*	L-Type/TIIS
YR-MPX3500-B0*	L-Type/FM
YR-MPX3500-C0*	L-Type/ATEX
YR-MPX3500-D0*	L-Type/NEPSI
YR-MPX3500-E0*	L-Type/KCs

Note:
 1.All rights reserved.
 2.Please note that the data is subject to be deleted without advance notice.
 3.No warranty is given in relation to the data including the specification.
 4.We are not responsible for any damages or loss caused by the use of the data.

SCALE 1:35



Reference Drawing

TITLE MOTOMAN-MPX3500 DIMENSION DIAGRAM

DRWN DATE Mar.31.'15
 DWG.NO. HW1383965 1/2

SIZE A3

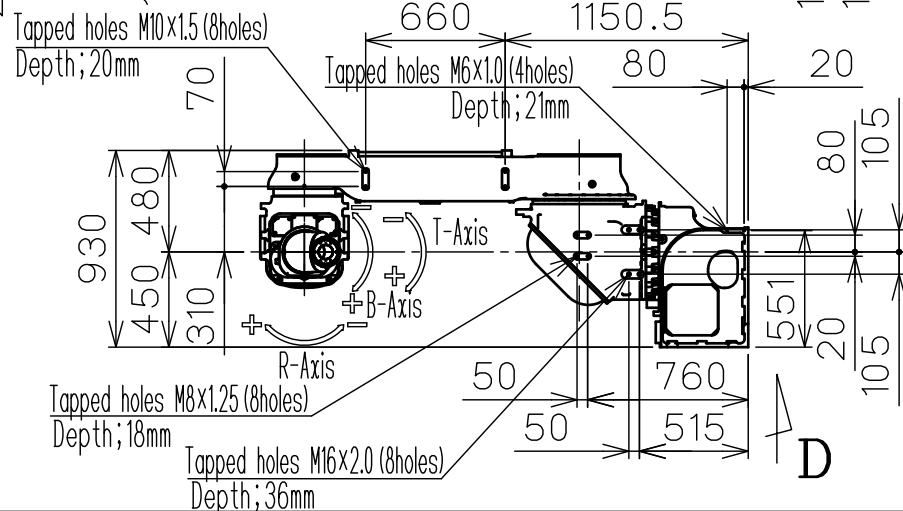
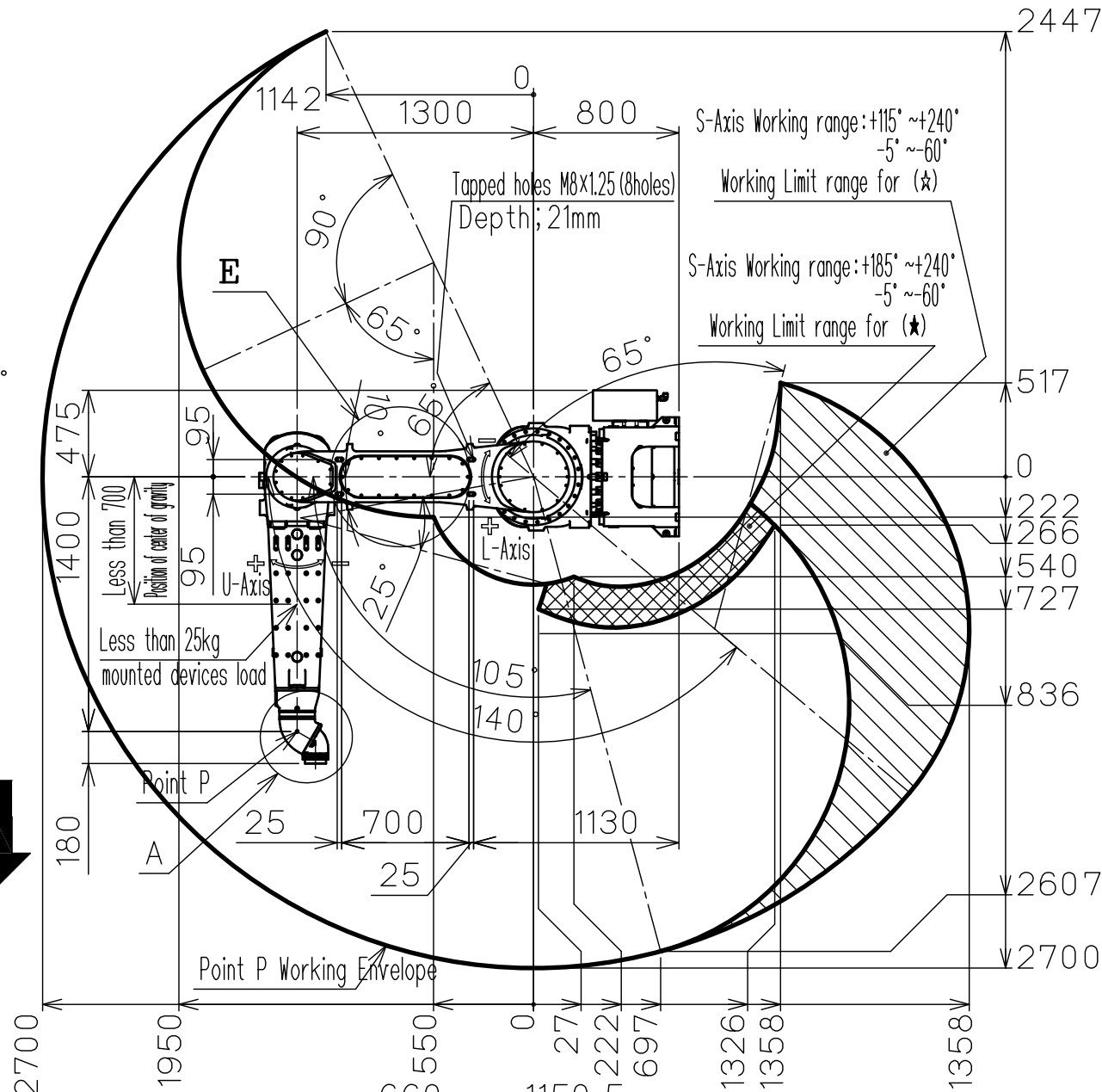
DWG.NO. HW1383965 2/2

☆ L Working range: -65° ~ +105°

☆☆ Working Limit range

S-Axis

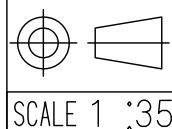
Direction of gravitational force



Model		MOTOMAN-MPX3500 (Wall-mounted Type)
Item	Structure	Articulated Robot
	Degree of Freedom	6
	Payload (mass)	15kg
	Repetitive Positioning Accuracy	±0.15mm
Max.Motion Range	S-Axis (Turning)	+240° ~ -60°
	L-Axis (Lower Arm)	+140° ~ -65°
	U-Axis (Upper Arm, Lower Arm)	+90° ~ -65°
	R-Axis (Roll)	+720° ~ -720°
	B-Axis (Pitch/Yaw)	+720° ~ -720°
	T-Axis (Twist)	+720° ~ -720°
	Max.Speed	2m/s
	Wrist hollow diameter	φ70
Allowable Moment	R-Axis	93.2N·m (9.5kgf·m)
	B-Axis	58.8N·m (6.0kgf·m)
	T-Axis	19.6N·m (2.0kgf·m)
Allowable Inertia (GD ² /4)	R-Axis	3.75kg·m ²
	B-Axis	2.225kg·m ²
	T-Axis	0.20kg·m
	Approx.Robot mass	590kg
Location	Ambient Temperature	0 ~ +40°C
	Relative Humidity	20~80%RH (Non-condensing)
	Vibration	Less than 4.9m/s ² (0.5G)
	Others	To be no electric noise factor near.
	Power Supply	3.0KVA

This is the dimension diagram of wall-mounted type and shows the original position of each axis.
The specifications in this table is only different from the operating range of S-axis as the floor-mounted type.

Note:
1.All rights reserved.
2.Please note that the data is subject to be deleted without advance notice.
3.No warranty is given in relation to the data including the specification.
4.We are not responsible for any damages or loss caused by the use of the data.



YASKAWA
株式会社 安川電機

Reference Drawing

TITLE MOTOMAN-MPX3500
DIMENSION DIAGRAM

DRWN DATE Mar.31.'15
DWG.NO.

HW1383965 2/2

SIZE A3