

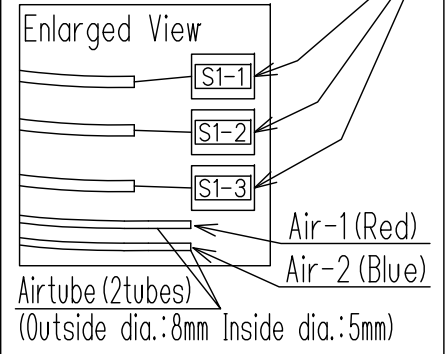
DWG.NO. HW0389601

FOR STUDY PURPOSE ONLY

*1.Flange has a cable through hole.
When mounting equipment such as
an attachment,ensure that no foreign
liquid,oil,or dust go into hols.

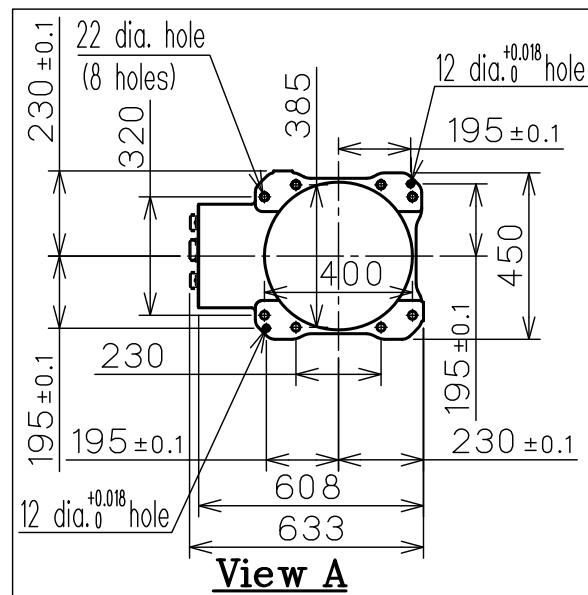
Type	Note
YR-SIA050D-A00	Standard
YR-SIA050D-A01	Dripproof (Base:IP54, Body:IP65,Wrist:IP67)

Connectors for internal user
I/O wiring harness:
51216-0800*MOLEX*(3 connectors)
Prepare:51227-0800*MOLEX*

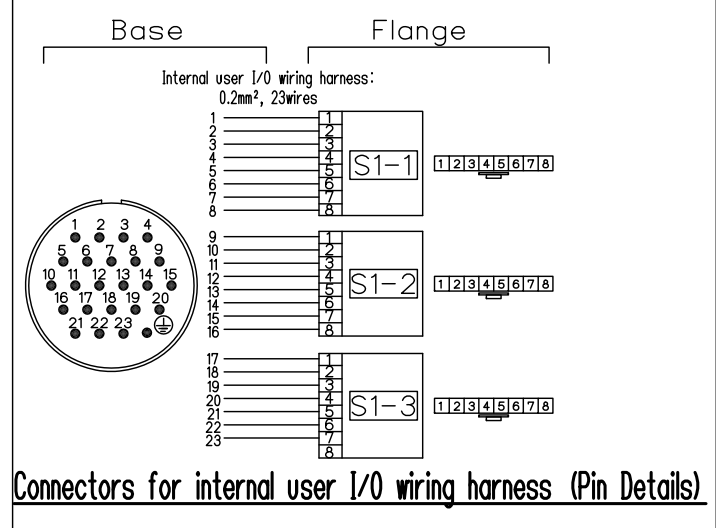


Item	Model	MOTOMAN-SIA50D
Type		Articulated
Degree of Freedom		7 axes
Payload		50kg
Repeatability *2		±0.1mm
Range of Motion	S-axis	-180° ~ +180°
	L-axis	-60° ~ +125°
	E-axis	-170° ~ +170°
	U-axis	-35° ~ +215°
	R-axis	-170° ~ +170°
	B-axis	-125° ~ +125°
	T-axis	-180° ~ +180°
Maximum Speed	S-axis	2.97rad/s,170°/s
	L-axis	2.27rad/s,130°/s
	E-axis	2.27rad/s,130°/s
	U-axis	2.27rad/s,130°/s
	R-axis	2.27rad/s,130°/s
	B-axis	2.27rad/s,130°/s
	T-axis	3.49rad/s,200°/s
Allowable Moment	R-axis	377N·m (38.5kgf·m)
	B-axis	377N·m (38.5kgf·m)
	T-axis	377N·m (15.0kgf·m)
Allowable Inertia (GD ² /4)	R-axis	29.6kg·m ²
	B-axis	29.6kg·m ²
	T-axis	12.5kg·m ²
Mass		640kg
Ambient Conditions	Temperature	0~40℃
	Humidity	20~80%RH at constant temperature
	Vibration Acceleration	4.9m/s ² (0.5G) or less
	Others	*Free from corrosive gas or liquid, or explosive gas *Free from exposure to oil or dust *Free from excessive electrical noise (plasma)
Power Capacity		5.0kVA

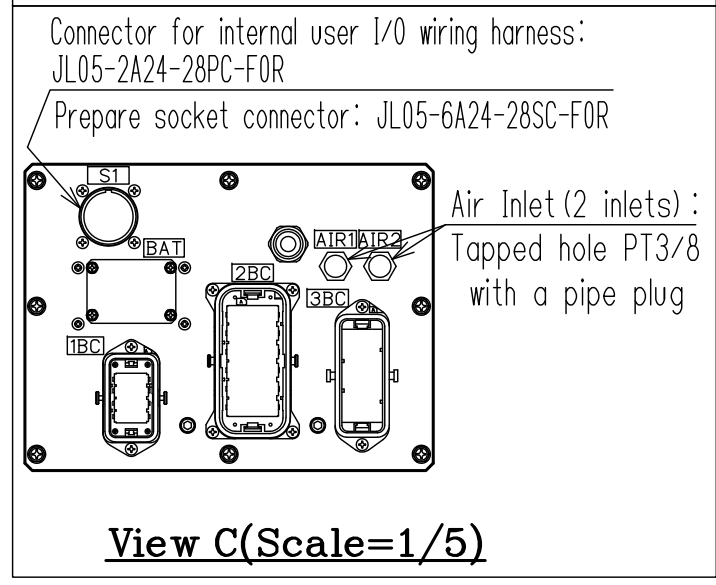
SI units are used in this table.
However, gravitational unit is used in ().
*2: Conformed to ISO9283



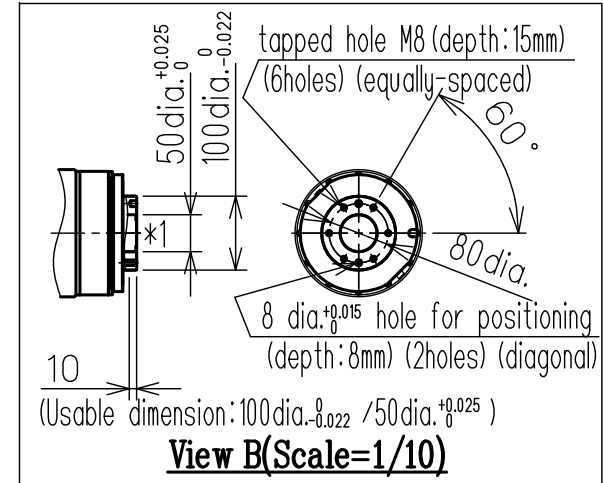
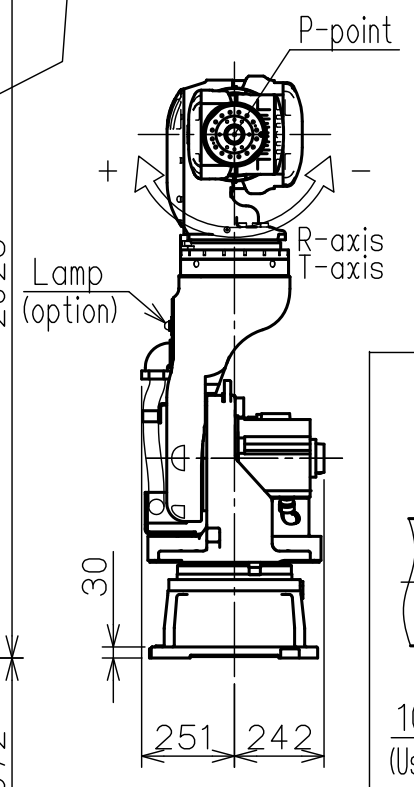
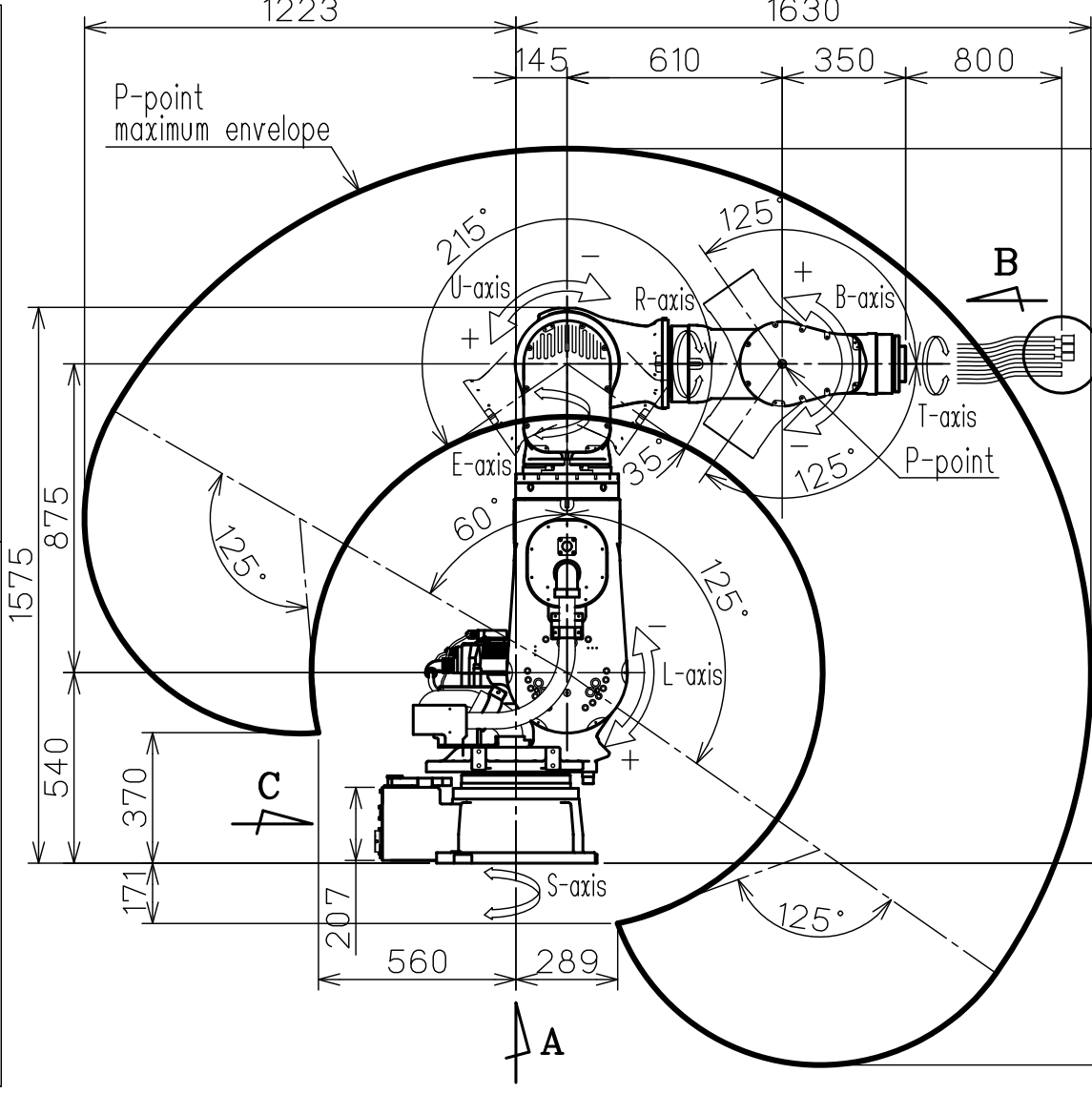
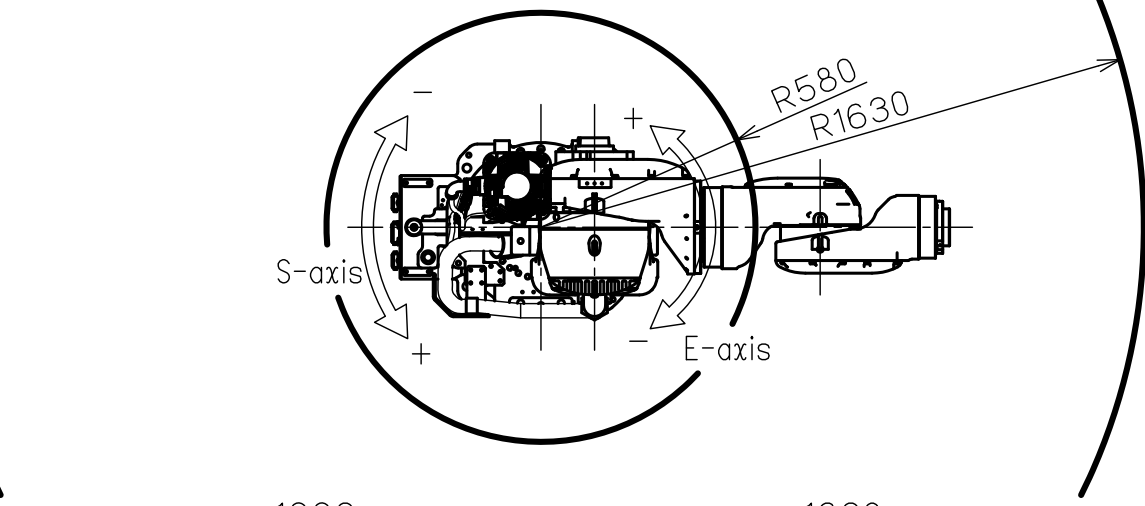
View A



Connectors for internal user I/O wiring harness (Pin Details)

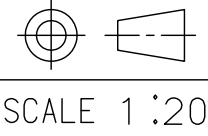


View C(Scale=1/5)



View B(Scale=1/10)

Note:
1.All rights reserved.
2.Please note that the data is subject to be deleted without advance notice.
3.No warranty is given in relation to the data including the specification.
4.We are not responsible for any damages or loss caused by the use of the data.



Reference Drawing

TITLE MOTOMAN-SIA50D
DIMENSION DIAGRAM

DWG.NO. HW0389601

SIZE A3