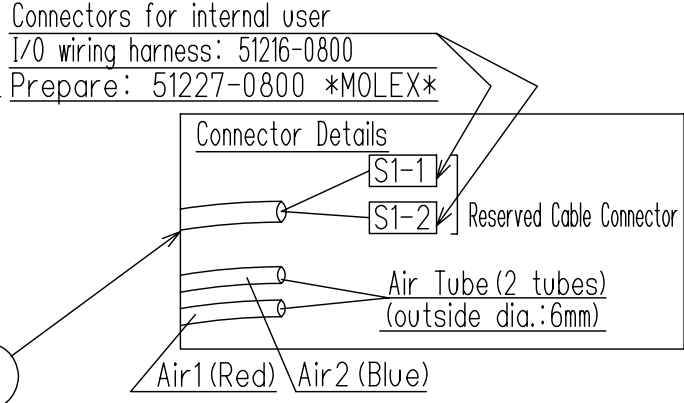
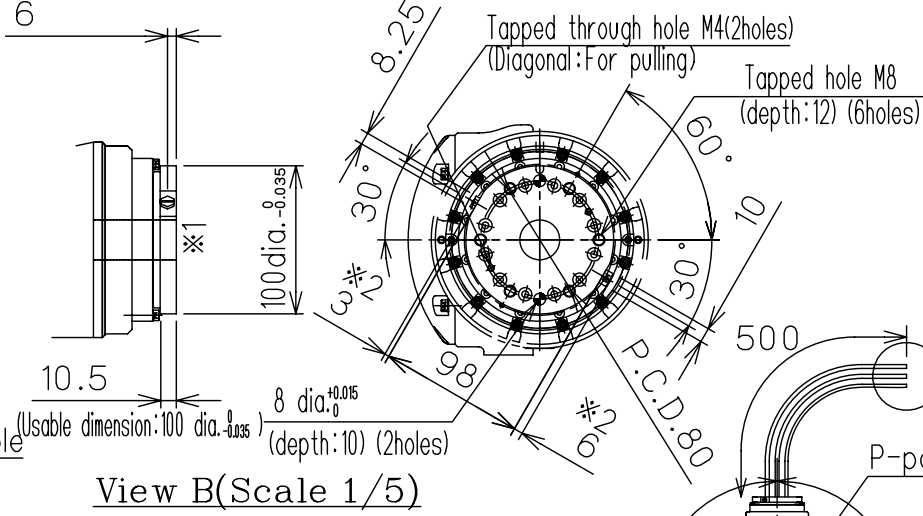
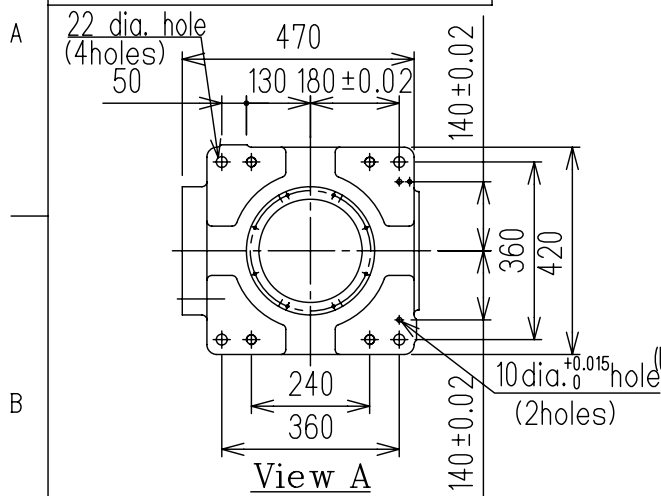
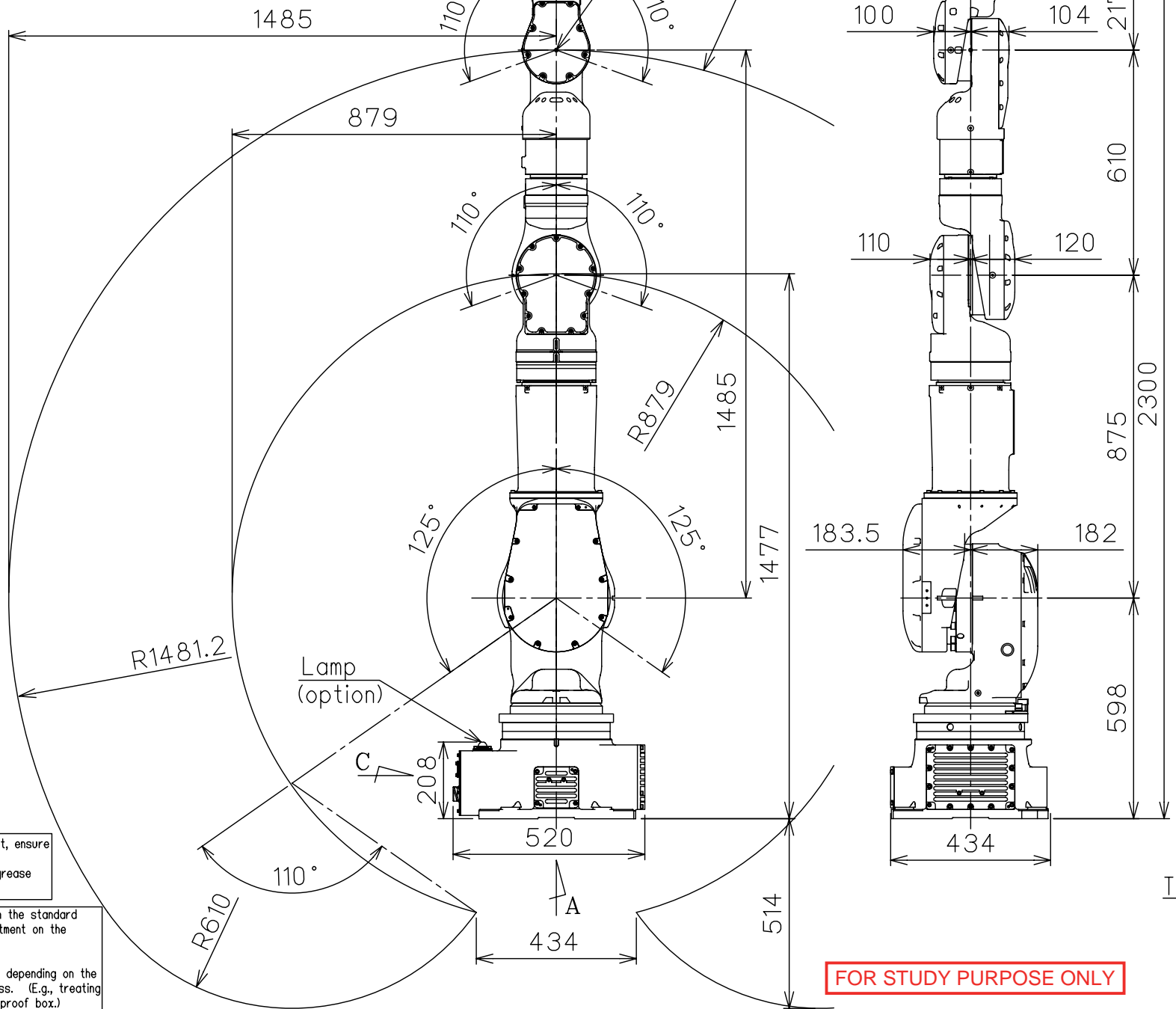
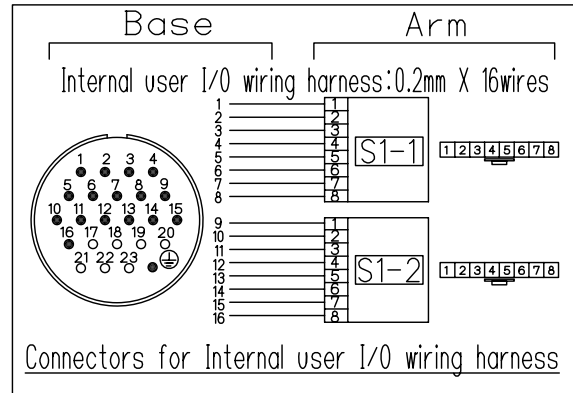
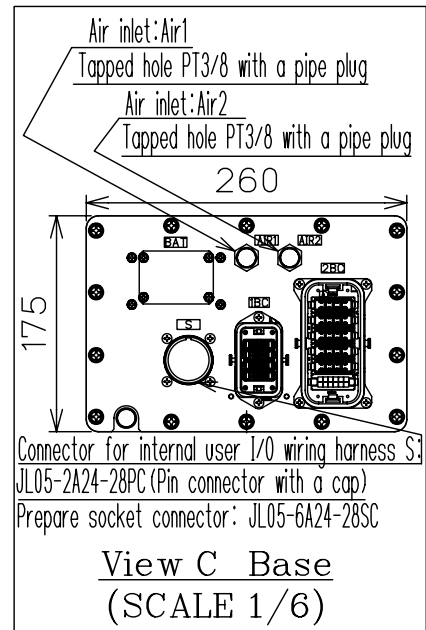


DWG.NO. HW1381011



Item	Model	MOTOMAN-SIA30D
Configuration		Vertically Articulated
Degree of Freedom		7
Payload		30kg
Repetitive Positioning Accuracy*		±0.1mm
Range of Motion	S-axis	-180° - +180°
	L-axis	-125° - +125°
	E-axis	-170° - +170°
	U-axis	-110° - +110°
	R-axis	-170° - +170°
	B-axis	-110° - +110°
	T-axis	-180° - +180°
Maximum Speed	S-axis	2.27rad/s (130° /s)
	L-axis	2.27rad/s (130° /s)
	E-axis	2.27rad/s (130° /s)
	U-axis	2.27rad/s (130° /s)
	R-axis	2.97rad/s (170° /s)
	B-axis	2.97rad/s (170° /s)
	T-axis	3.49rad/s (200° /s)
Allowable Moment	R-axis	117.6N·m (12kgf·m)
	B-axis	117.6N·m (12kgf·m)
	T-axis	58.8N·m (6kgf·m)
Allowable Inertia (GD ² /4)	R-axis	6 kg·m ²
	B-axis	6 kg·m ²
	T-axis	3 kg·m ²
Mass		345kg
Ambient Conditions	Temperature	0-40 °C
	Humidity	20-80%RH at constant temperature
	Vibration acceleration	4.9m/s ² (0.5G) 以下
Others		<ul style="list-style-type: none"> Free from corrosive gas and liquid, or explosive gas Free from exposure to water, oil, or dust Free from excessive electrical noise (plasma)
Power Capacity		3.0 kVA



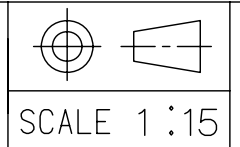
#1: Flange has a cable through hole. When mounting equipment such as an attachment, ensure that no foreign liquid, oil, or dust go into hole.
 #2: When 100 dia. part is used, pay attention to the screw and plug for T-axis grease replenishment.
 The drip-proof specification has a hole on its wrist flange to pass cables as with the standard specification. When mounting equipment such as attachment, perform drip-proof treatment on the flange surface.
 The optional waterproof wrist flange is available.
 <NOTE> The connectors for internal user I/O wiring harness are not drip-proofed; depending on the ambient conditions, perform drip-proof treatment after connecting the wiring harness. (E.g., treating the connections with silicon tape, or connecting the wiring harness inside the drip-proof box.)

FOR STUDY PURPOSE ONLY

SI units are used in this table. However, gravitational unit is used in ().
 *1: Conformed to ISO9283
 This drawing is applicable with following type

Type	Note
YR-SIA030D-A00	Standard
YR-SIA030D-A01	Dripproof Spec.

Note:
 1. All rights reserved.
 2. Please note that the data is subject to be deleted without advance notice.
 3. No warranty is given in relation to the data including the specification.
 4. We are not responsible for any damages or loss caused by the use of the data.



YASKAWA
 株式会社 安川電機

Reference Drawing

TITLE MOTOMAN-SIA30D
 DIMENSION DIAGRAM

DWG.NO. HW1381011

SIZE A3