

DWG.NO. HW0389842

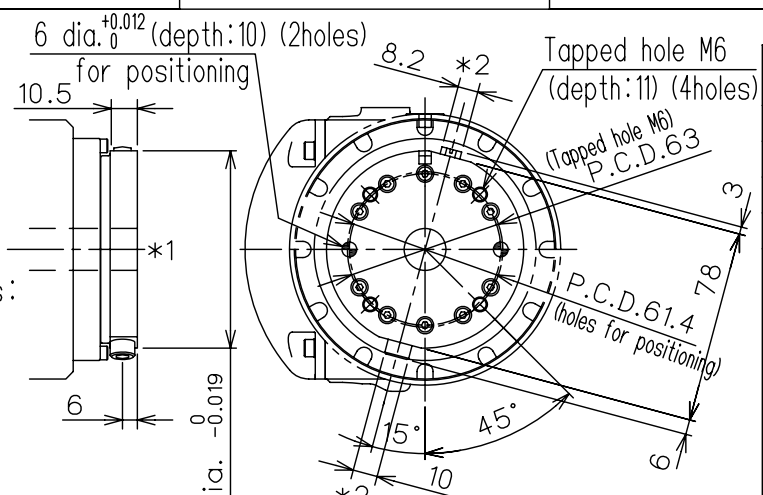
This drawing is applicable with following type

Type	Note
YR-SIA010D-A00	Standard • DX100
YR-SIA010D-A01	Dripproof Spec. • DX100
YR-SIA010F-A00	Standard • FS100
YR-SIA010F-A01	Dripproof Spec. • FS100

(Range where the dimension 80 dia. -0.019 is available)

Connectors for internal user I/O wiring harness:
51216-0800, 51216-0700

Prepare: 51227-0800, 51227-0700 *MOLEX*

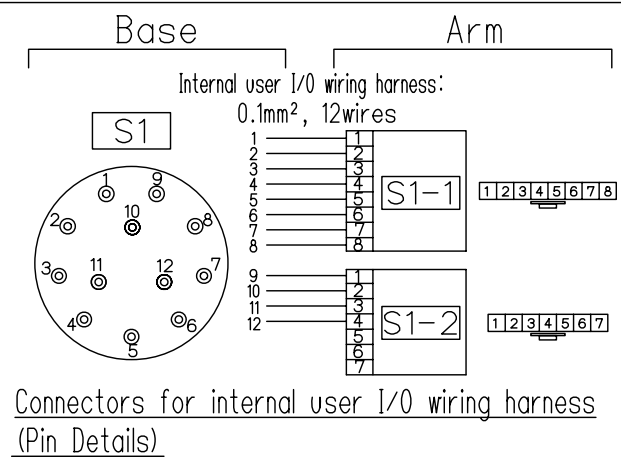


View B (SCALE 1/3)

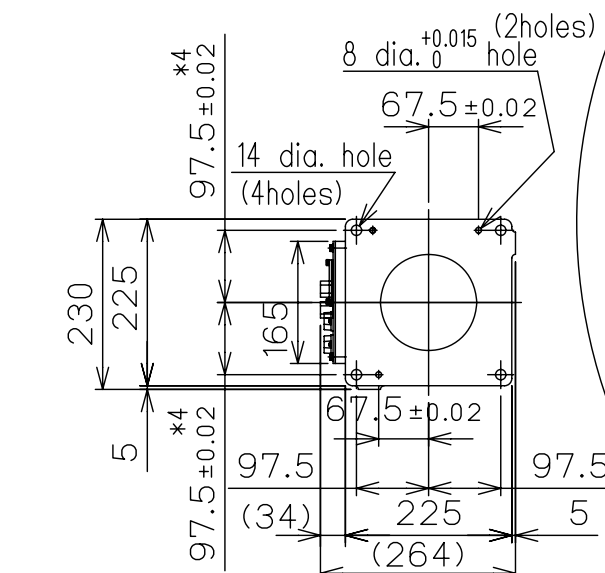
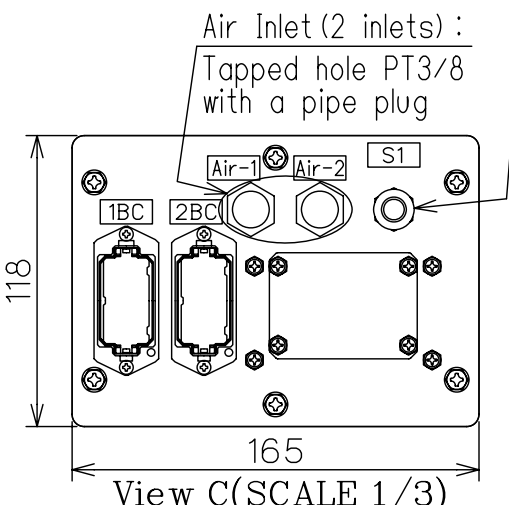
*1: Flange has a cable through hole. When mounting equipment such as an attachment, ensure that no foreign objects including liquid, oil, or dust go into the hole.
*2: When 80 dia. part is used, pay attention to the screw & plug for T-axis grease replenishment.

Item	Model	MOTOMAN-SIA10D, SIA10F
Configuration		Vertically Articulated
Degree of Freedom		7 axes
Payload		10kg
Repetitive Positioning Accuracy*3		±0.1mm
Range of Motion	S-axis	-180° - +180°
	L-axis	-110° - +110°
	E-axis	-170° - +170°
	U-axis	-135° - +135°
	R-axis	-180° - +180°
	B-axis	-110° - +110°
	T-axis	-180° - +180°
Maximum Speed	S-axis	2.97rad/s (170°/s)
	L-axis	2.97rad/s (170°/s)
	E-axis	2.97rad/s (170°/s)
	U-axis	2.97rad/s (170°/s)
	R-axis	3.49rad/s (200°/s)
	B-axis	3.49rad/s (200°/s)
	T-axis	6.98rad/s (400°/s)
Allowable Moment	R-axis	31.4N·m (3.2kgf·m)
	B-axis	31.4N·m (3.2kgf·m)
	T-axis	19.6N·m (2.0kgf·m)
Allowable Inertia (GD ² /4)	R-axis	1.0kg·m ²
	B-axis	1.0kg·m ²
	T-axis	0.4kg·m ²
Mass		60kg
Ambient Conditions	Temperature	0-40 C°
	Humidity	20-80%RH at constant temperature
	Vibration acceleration	4.9m/s ² (0.5G) or less
	Others	•Free from corrosive gas or liquid, or explosive gas •Free from exposure to water, oil or dust •Free from excessive electrical noise (plasma)
Power Capacity	DX100	1.5 kVA
	FS100	1.0 kVA

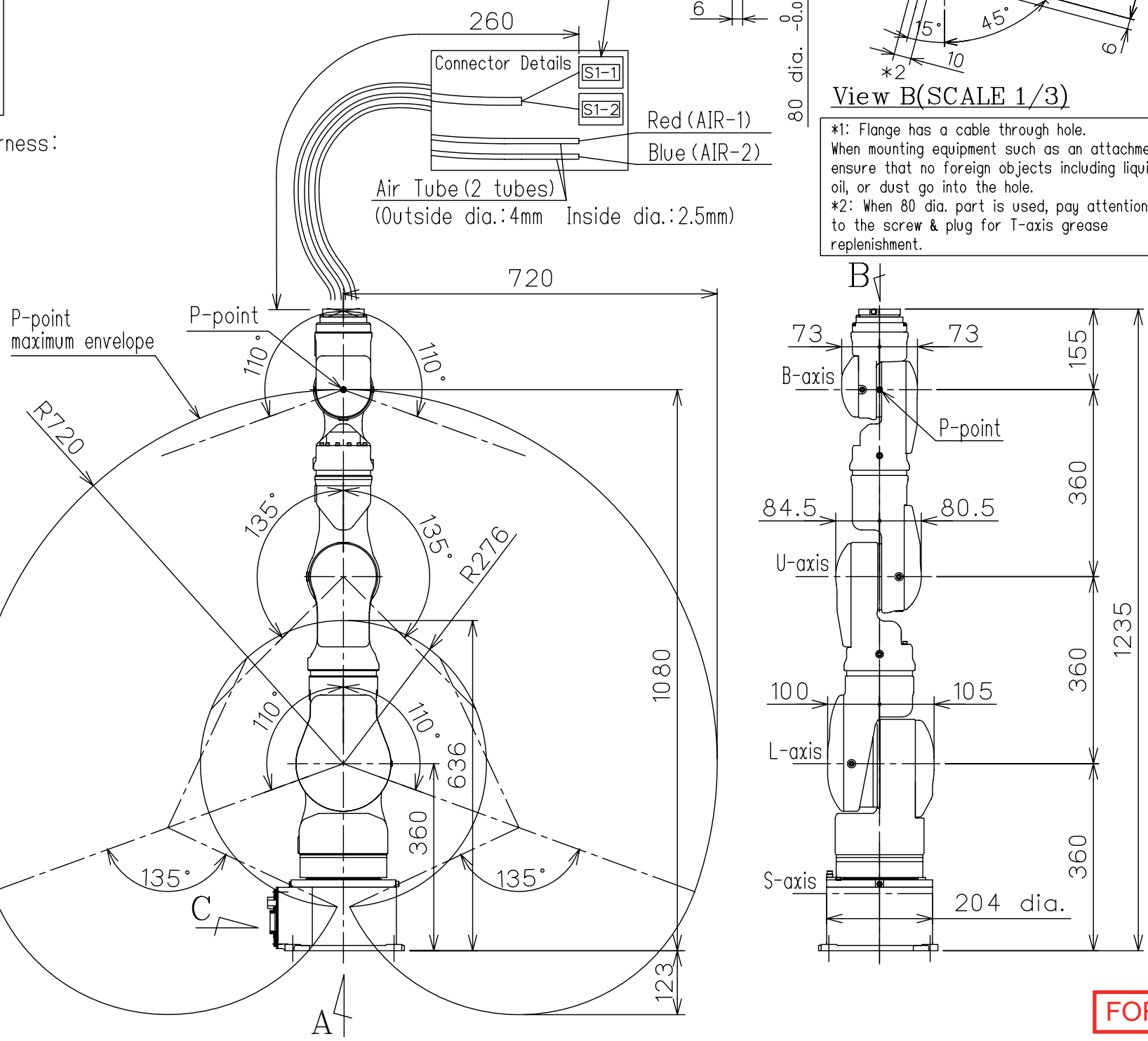
SI units are used in this table. However, gravitational unit is used in ().
*3: Conformed to ISO9283



Connectors for internal user I/O wiring harness:
LF10WBRB-12P (Pin connector)
Prepare socket connector:
LF10WBP-12S*HIROSE*

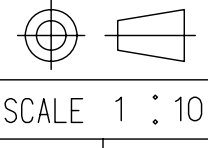


*4: Tolerance shall be applied only for 8 dia. $+0.015$ hole



FOR STUDY PURPOSE ONLY

Note:
1. All rights reserved.
2. Please note that the data is subject to be deleted without advance notice.
3. No warranty is given in relation to the data including the specification.
4. We are not responsible for any damages or loss caused by the use of the data.



Reference Drawing

TITLE MOTOMAN-SIA10D, SIA10F
DIMENSION DIAGRAM

DWG.NO. HW0389842

SIZE A3