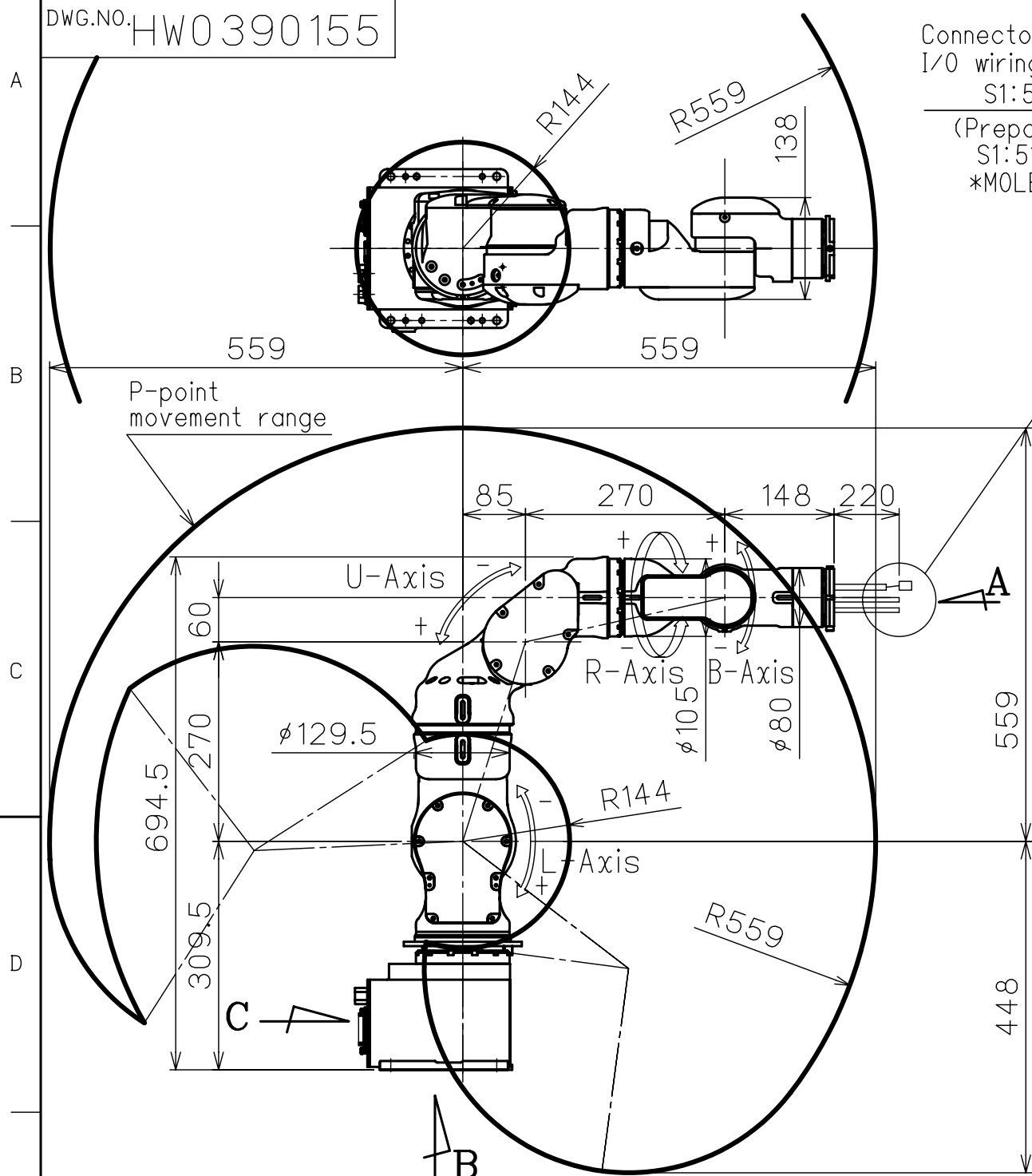
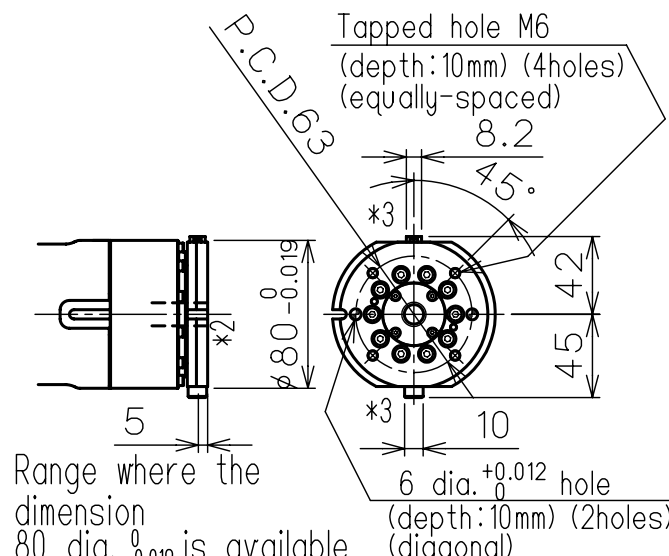
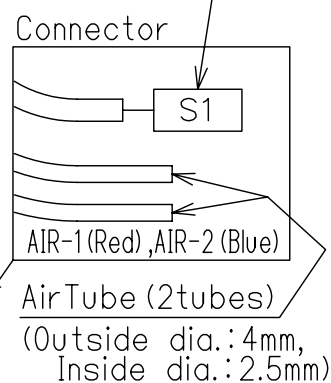


DWG.NO. HW0390155



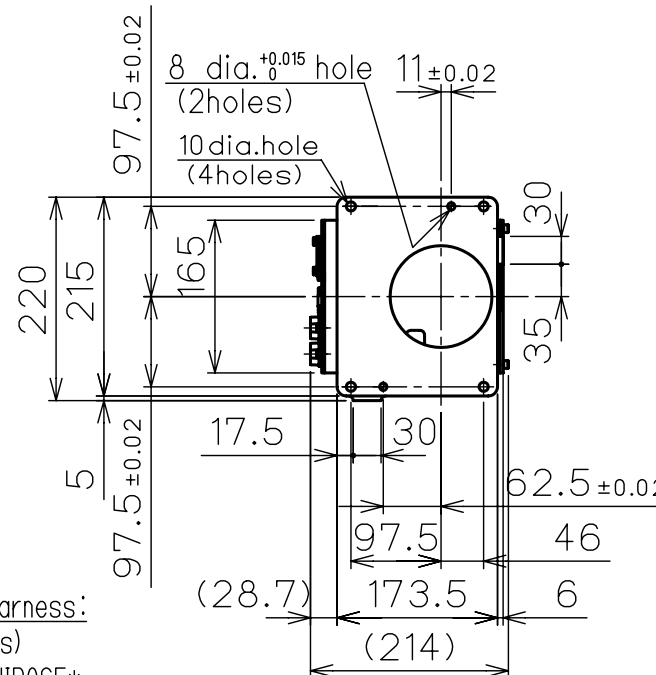
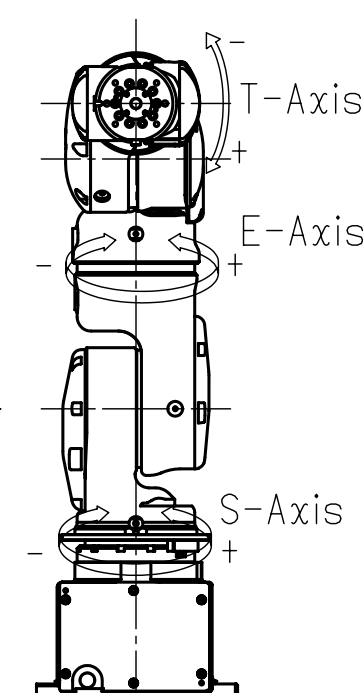
Connectors for internal user I/O wiring harness
S1: 51216-0800
(Prepare: S1: 51227-0800 *MOLEX*)



ViewA (SCALE1: 4)

*2: Each flange has a cable through hole. When mounting equipment such as an attachment, ensure that no foreign objects including liquid, oil, or dust go into the hole.

*3: When 80 dia. part is used, pay attention to the screw & plug for T-axis grease replenishment.



ViewB

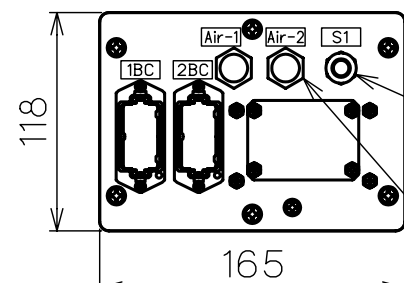
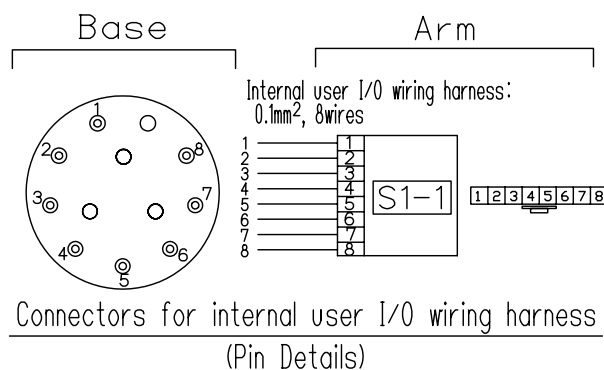
Item	Model	MOTOMAN-SIA5D,SIA5F
Configuration	Articulated	
Degree of Freedom	7	
Payload	5kg	
Repetitive Positioning Accuracy	±0.06mm	
Range of Motion	S-axis	-180° - +180°
	L-axis	-110° - +110°
	E-axis	-170° - +170°
	U-axis	-90° - +115°
	R-axis	-180° - +180°
	B-axis	-110° - +110°
	T-axis	-180° - +180°
Maximum Speed	S-axis	3.49rad/s (200°/s)
	L-axis	3.49rad/s (200°/s)
	E-axis	3.49rad/s (200°/s)
	U-axis	3.49rad/s (200°/s)
	R-axis	3.49rad/s (200°/s)
Allowable Moment	B-axis	4.01rad/s (230°/s)
	T-axis	6.11rad/s (350°/s)
	R-axis	14.7N·m (1.5kgf·m)
Allowable Inertia (GD ² /4)	B-axis	14.7N·m (1.5kgf·m)
	T-axis	7.35N·m (0.75kgf·m)
Mass	30kg	
Ambient Conditions	Temperature	0 - 40°C
	Humidity	20-80%RH at constant temperature
	Vibration acceleration	Less than 4.9m/s (0.5G)
	Others	•Free from corrosive gas or liquid, or explosive gas •Free from exposure to water,oil,or dust •Free from excessive electrical noise (plasma)
Power Capacity	1.0KVA	

*1: Conformed to ISO9283
SI units are used in this table.
However, gravitational unit is used in ().

This drawing is applicable with following type

Type	Note
YR-SIA005D-A00	Standard·DX100
YR-SIA005F-A00	Standard·FS100

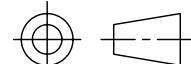
FOR STUDY PURPOSE ONLY



ViewC (SCALE1: 4)

Connectors for internal user I/O wiring harness:
LF10WBRB-12P (Pin Connector) (2 connectors)
Prepare socket connector: LF10WBP-12S *HIROSE*
Air inlet (2 inlets):
Tapped hole PT3/8 with a pipe plug

Note:
1. All rights reserved.
2. Please note that the data is subject to be deleted without advance notice.
3. No warranty is given in relation to the data including the specification.
4. We are not responsible for any damages or loss caused by the use of the data.



SCALE 1: 8

YASKAWA

株式会社 安川電機

Reference Drawing

TITLE MOTOMAN-SIA5D,SIA5F
DIMENSION DIAGRAM

DWG.NO.

HW0390155

SIZE A3