

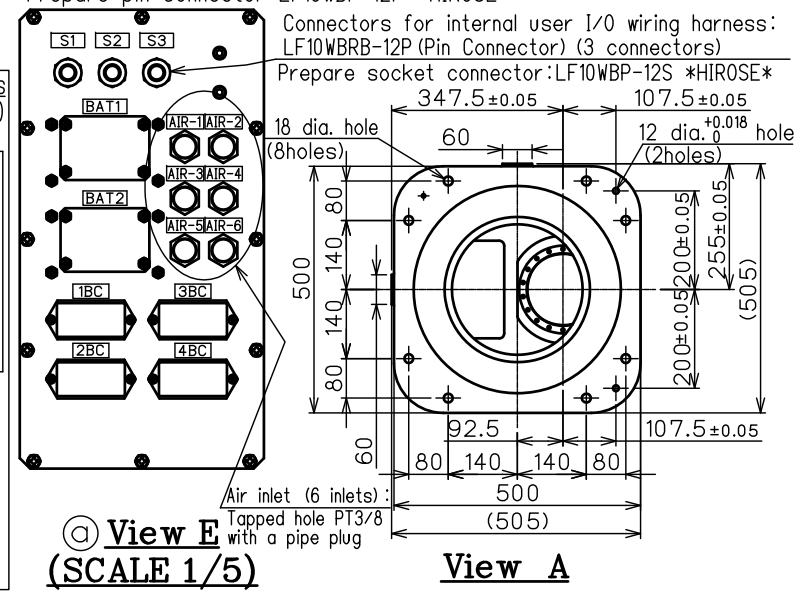
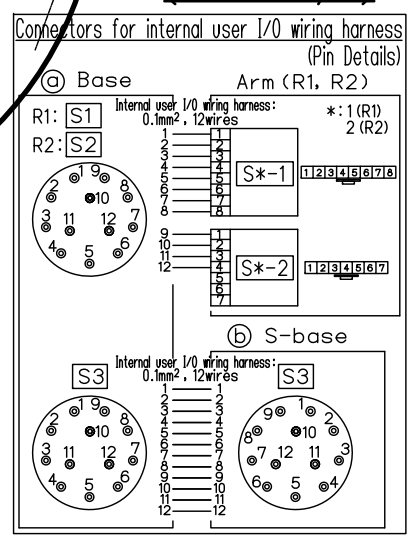
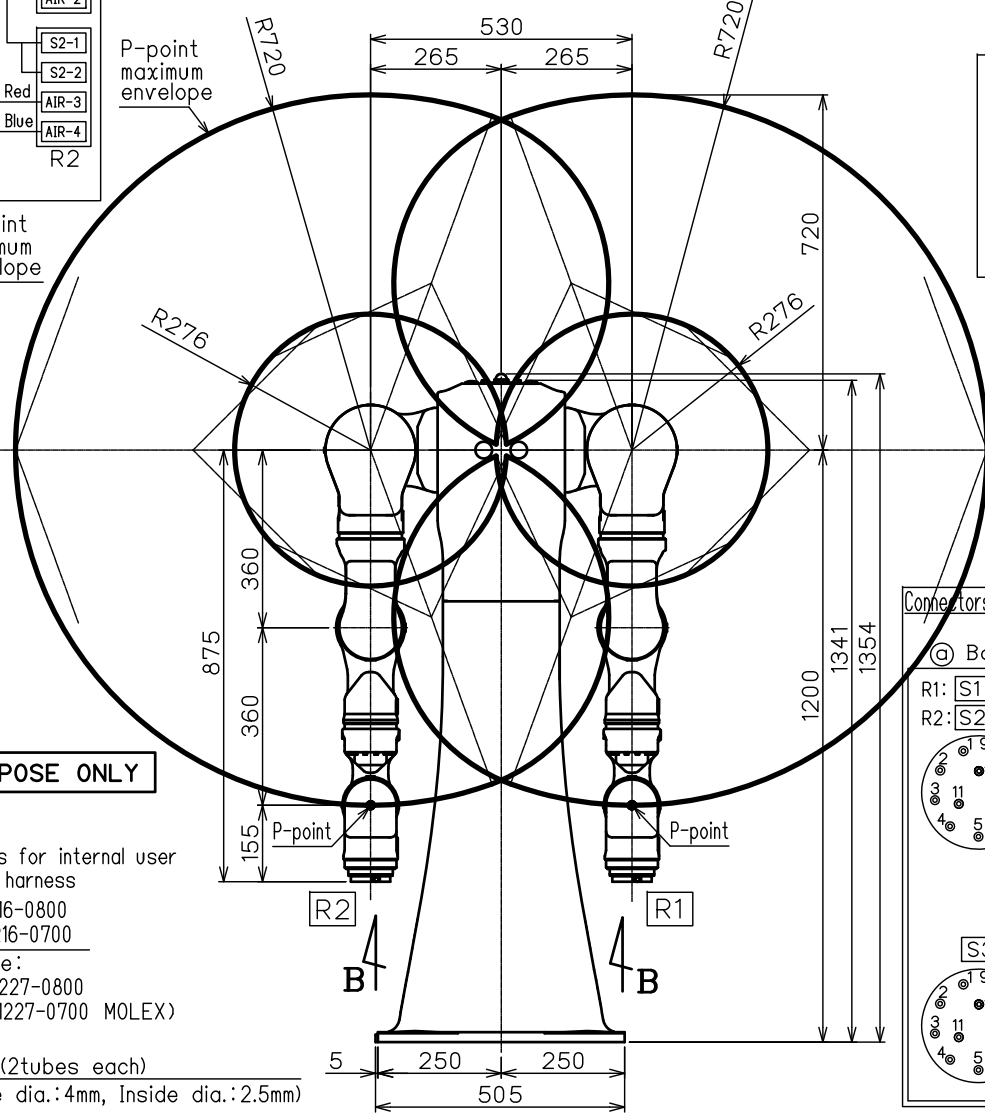
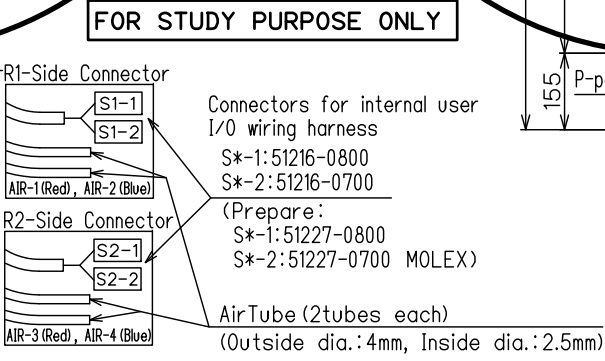
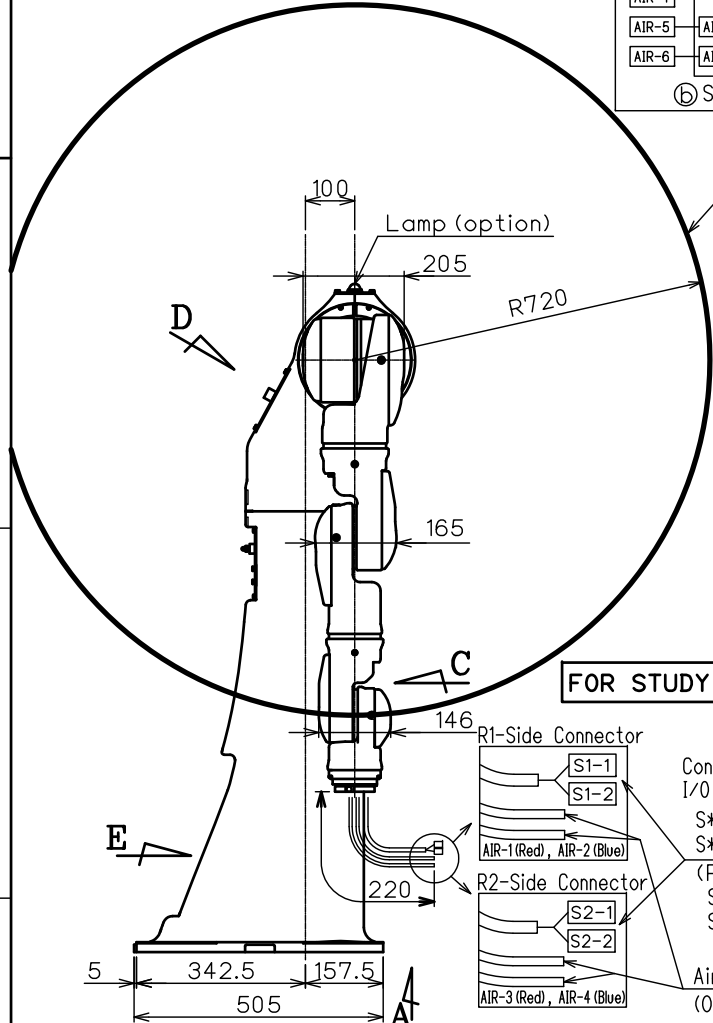
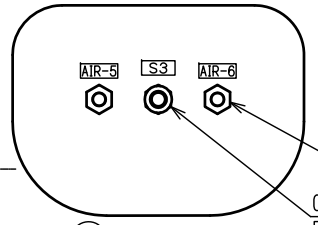
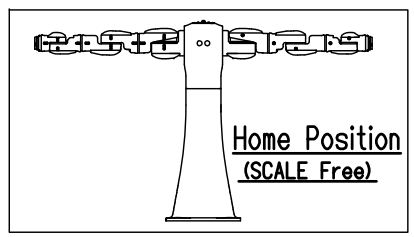
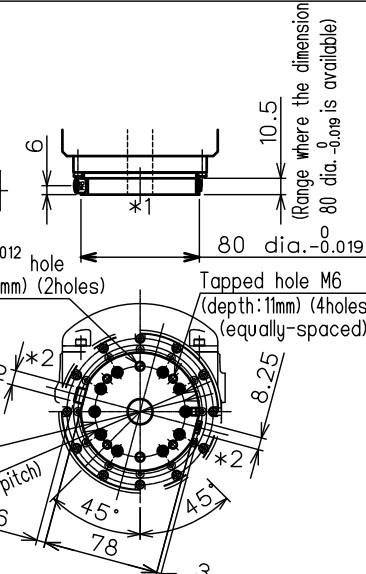
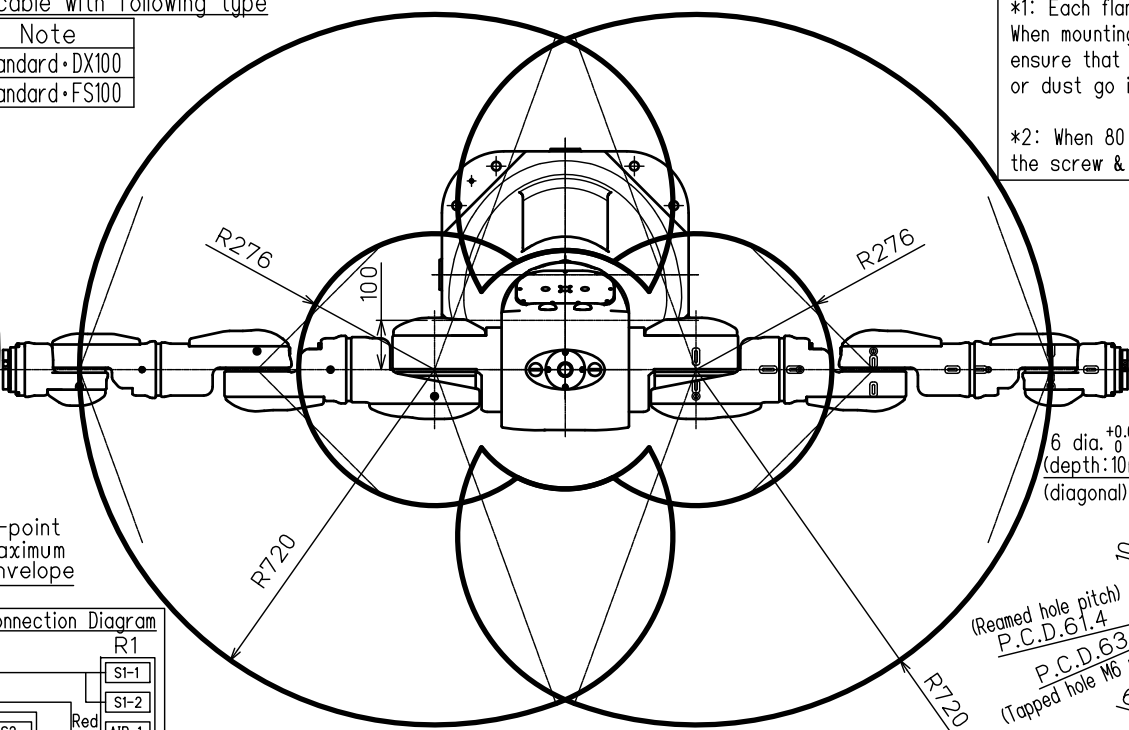
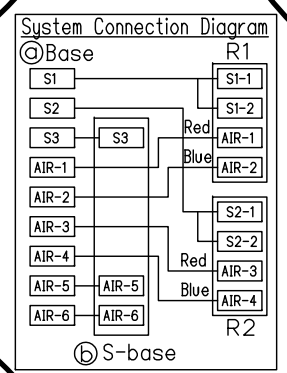
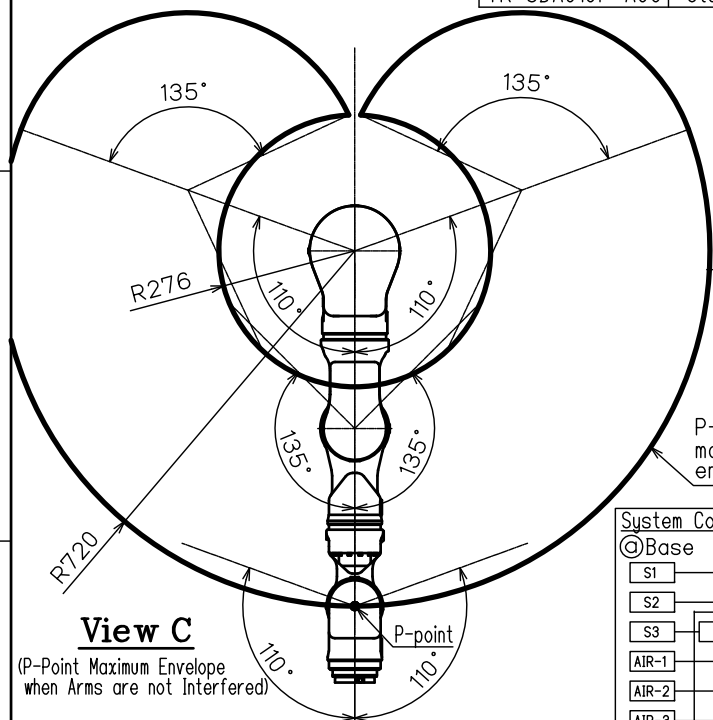
DWG.NO. HW0389841

This drawing is applicable with following type

Type	Note
YR-SDA010D-A00	Standard·DX100
YR-SDA010F-A00	Standard·FS100

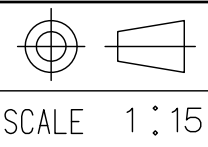
*1: Each flange has a cable through hole. When mounting equipment such as an attachment, ensure that no foreign objects including liquid, oil, or dust go into the hole.
 *2: When 80 dia. part is used, pay attention to the screw & plug for T-axis grease replenishment.

Item	Model	MOTOMAN-SDA10D, SDA10F
Configuration		Articulated
Degree of Freedom		7 axes for the left arm (R1); 7 axes for the right arm (R2); 1 turning axis
Payload		10kg/arm
Repetitive Positioning Accuracy *3		±0.1mm
Range of Motion	Rotation-axis	-170° - +170°
	S-axis (lifting)	-180° - +180°
	L-axis (lower arm)	-110° - +110°
	E-axis (lower arm twist)	-170° - +170°
	U-axis (upper arm)	-135° - +135°
	R-axis (upper arm twist)	-180° - +180°
	B-axis (wrist pitch/yaw)	-110° - +110°
T-axis (wrist twist)	-180° - +180°	
Maximum Speed	Rotation-axis	2.27rad/s (130°/s)
	S-axis	2.97rad/s (170°/s)
	L-axis	2.97rad/s (170°/s)
	E-axis	2.97rad/s (170°/s)
	U-axis	2.97rad/s (170°/s)
	R-axis	3.49rad/s (200°/s)
Allowable Moment	R-axis	31.4 N·m (3.2kgf·m)
	B-axis	31.4 N·m (3.2kgf·m)
	T-axis	19.6 N·m (2.0kgf·m)
Allowable Inertia (GD ² /4)	R-axis	1.0 kg·m ²
	B-axis	1.0 kg·m ²
	T-axis	0.4 kg·m ²
Mass		220 kg
Ambient Conditions	Temperature	0-40°C
	Humidity	20-80%RH at constant temperature
	Vibration acceleration	4.9m/s ² (0.5G) 以下
	Others	Free from corrosive gas or liquid, or explosive gas Free from exposure to water, oil, or dust Free from excessive electrical noise (plasma)
Power Capacity	DX100	2.5 KVA
	FS100	2.0 KVA



SI units are used in this table. However, gravitational unit is used in ().
 *3: Conformed to ISO9283
 Exhaust Port (for air supply; 2 ports):
 Tapped hole PT3/8 with a pipe plug
 Connector for internal user I/O wiring harness: LF10WBRB-12S (Socket Connector)
 Prepare pin connector: LF10WBP-12P *HIROSE*

Note:
 1. All rights reserved.
 2. Please note that the data is subject to be deleted without advance notice.
 3. No warranty is given in relation to the data including the specification.
 4. We are not responsible for any damages or loss caused by the use of the data.



Reference Drawing

TITLE MOTOMAN-SDA10D, SDA10F
 DIMENSION DIAGRAM

DWG.NO. HW0389841 5

SIZE A3