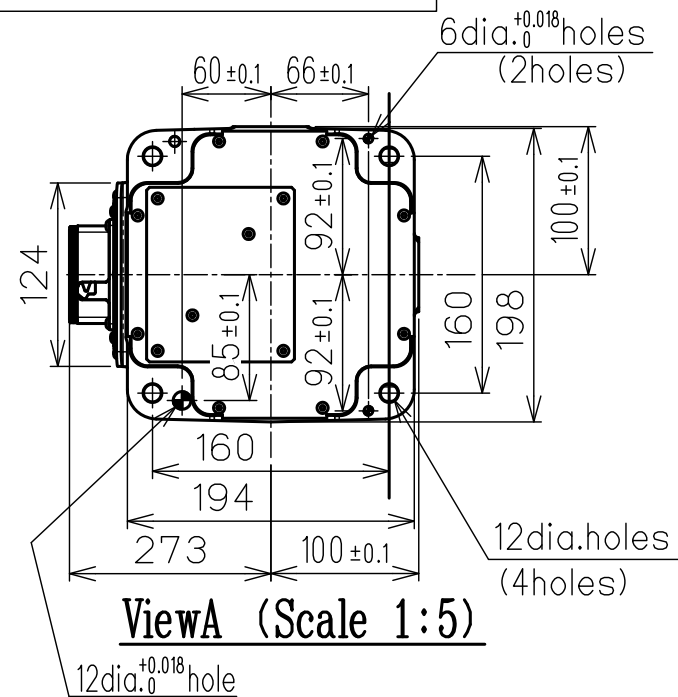
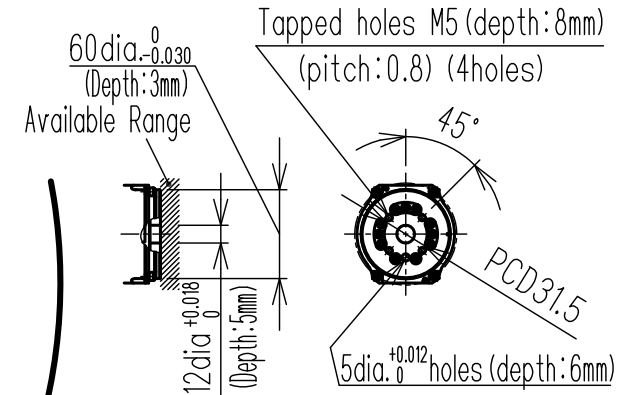
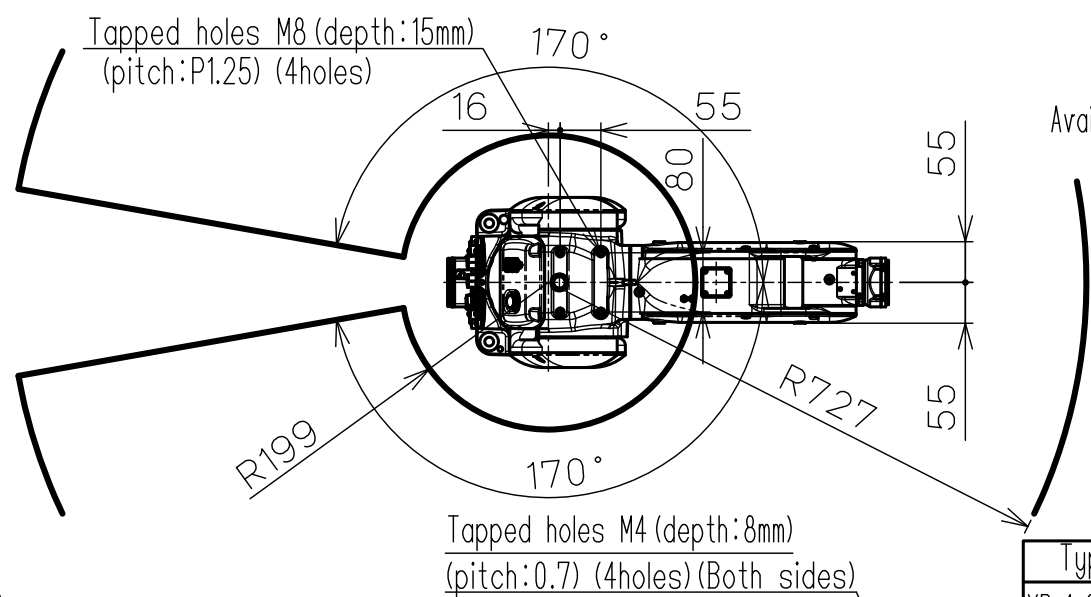


DWG.NO. HW1384162

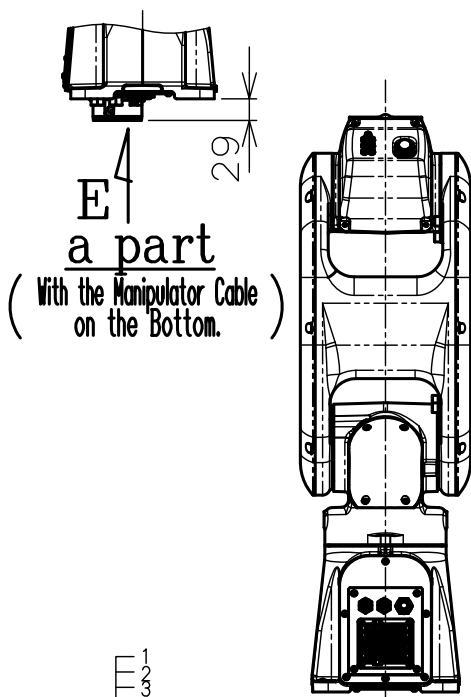


View A (Scale 1:5)

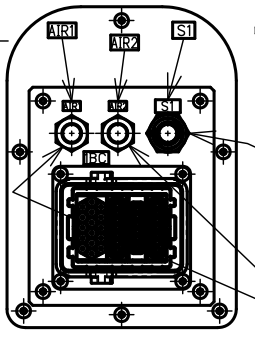
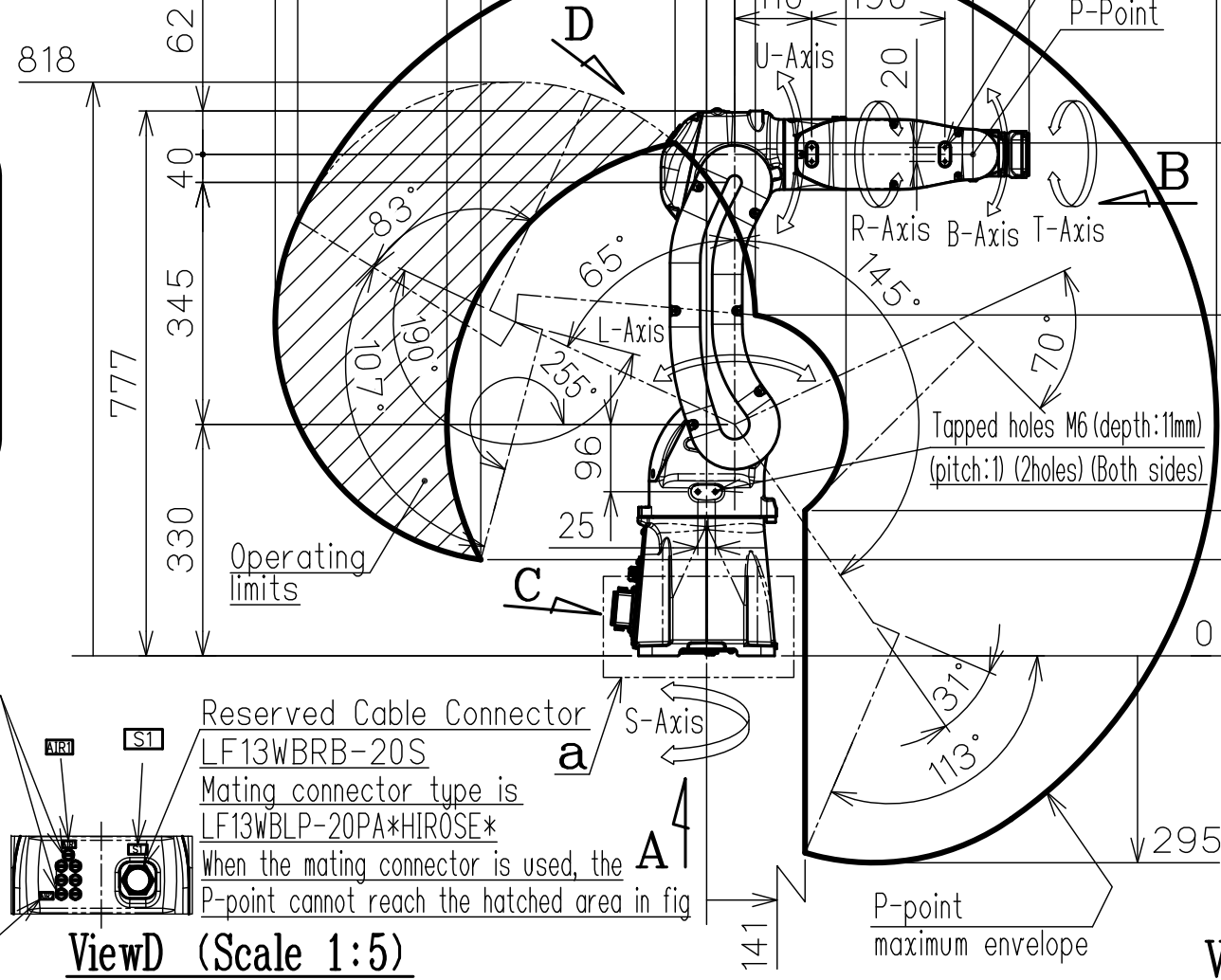


View B Detail of Wrist Frange (Scale 1:2)

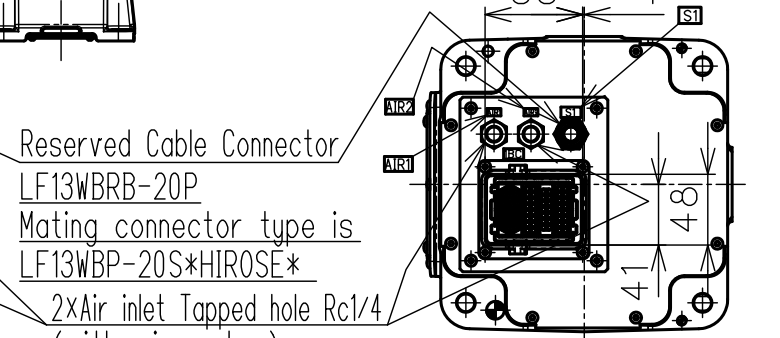
Type	Controller	Model	Note
YR-1-06VX8-A00	YRC1000	GP8/AR700	STANDARD
	YRC1000micro	GP8	
YR-1-06VX8-B00	YRC1000	GP8/AR700	ANTI-CORROSIVE COAT
	YRC1000micro	GP8	



View E (Scale 1:5)



View C (Scale 1:4)



View D (Scale 1:5)

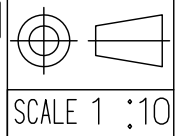
View E (Scale 1:5)

Item	Model	MOTOMAN-GP8/AR700
Configuration		Vertically Articulated
Degree of Freedom		6
Payload		8kg
Repeatability *1		±0.02mm
Range of motion	S-Axis (Turning)	-170° - +170°
	L-Axis (Lower Arm)	-65° - +145°
	U-Axis (Upper Arm)	-70° - +190°
	R-Axis (Roll)	-190° - +190°
	B-Axis (Pitch/Yaw)	-135° - +135°
	T-Axis (Twist)	-360° - +360°
Maximum speed	S-Axis	7.94rad/s, 455° /s
	L-Axis	6.72rad/s, 385° /s
	U-Axis	9.07rad/s, 520° /s
	R-Axis	9.59rad/s, 550° /s
	B-Axis	9.59rad/s, 550° /s
	T-Axis	17.45rad/s, 1000° /s
Allowable Moment	R-Axis	17Nm (1.73kgfm)
	B-Axis	17Nm (1.73kgfm)
	T-Axis	10Nm (1.02kgfm)
Allowable Inertia (GD² /4)	R-Axis	0.5kg·m²
	B-Axis	0.5kg·m²
	T-Axis	0.2 kg·m²
Approx. Robot mass		32kg
Protected structure		IP67
Mounting method *2		Floor-mounted, Wall-mounted, Tilt-mounted, Ceiling-mounted
Ambient Conditions	Temperature	0 to 45 °C
	Humidity	20 to 80%RH (Non-Condensing)
	Vibration	Less than 4.9m/s² (0.5G)
	Altitude	1000 m or less
	Others	•Free from explosive or corrosive gas and liquid. •Free from electrical noise. •Free from strong magnetic fields.
Power Requirements		1KVA
Controller		YRC1000/YRC1000micro

Notes: \*1 Repeatability is conformed to ISO 9283.  
\*2 When the manipulator is installed on a tilt or a wall, the motion of S-axis will be limited.  
\*3 The manipulator is in the home position.

Note:  
1. All rights reserved.  
2. Please note that the data is subject to be deleted without advance notice.  
3. No warranty is given in relation to the data including the specification.  
4. We are not responsible for any damages or loss caused by the use of the data.

FOR STUDY PURPOSE ONLY



**YASKAWA**  
株式会社 安川電機

Reference Drawing

TITLE MOTOMAN-GP8/AR700  
DIMENSION DIAGRAM

DRWN DATE ' 16.08.17  
DWG.NO. HW1384162

SIZE A3