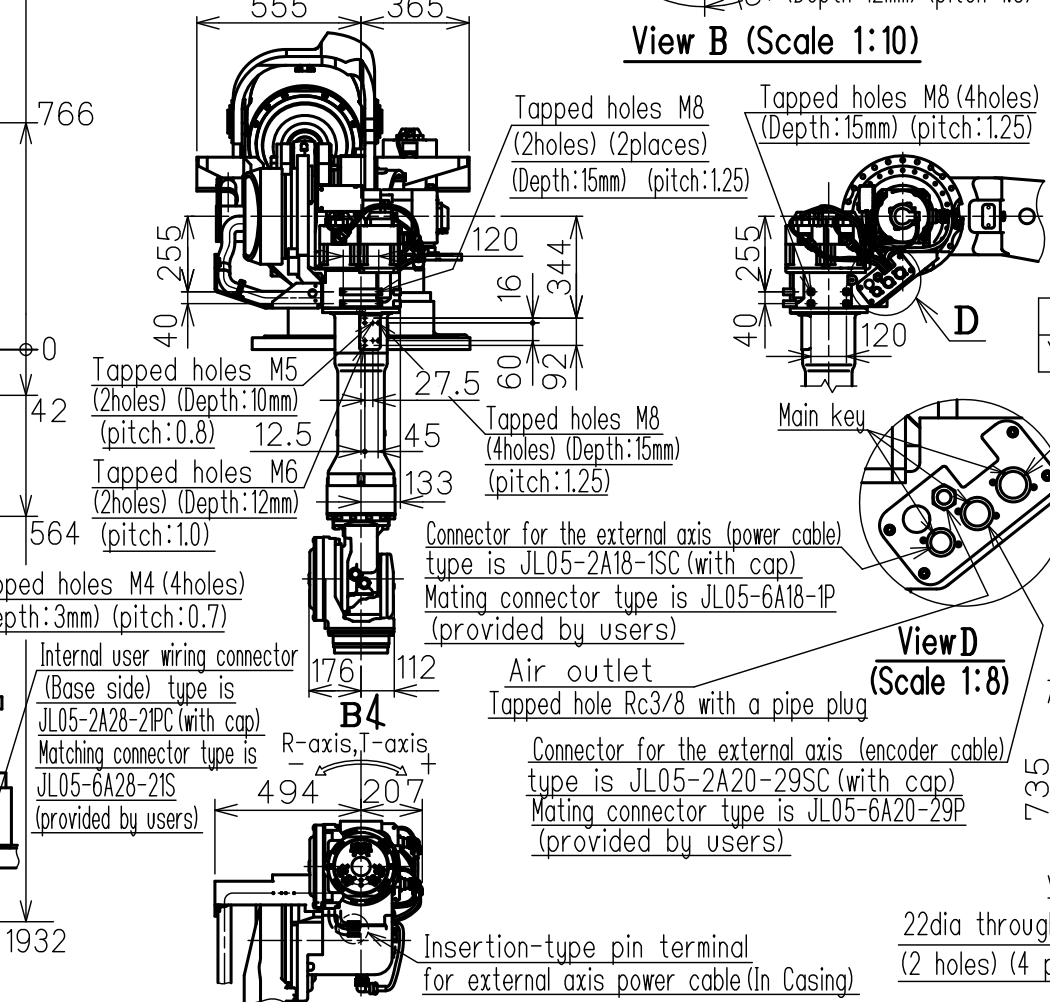
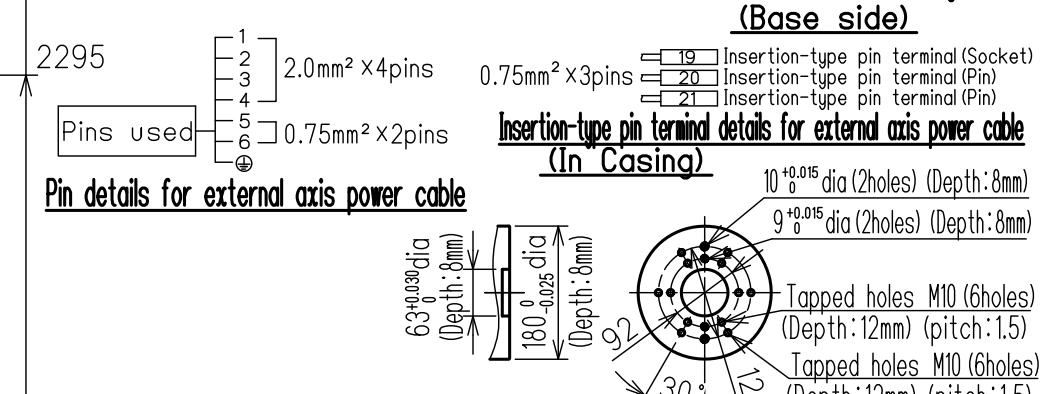
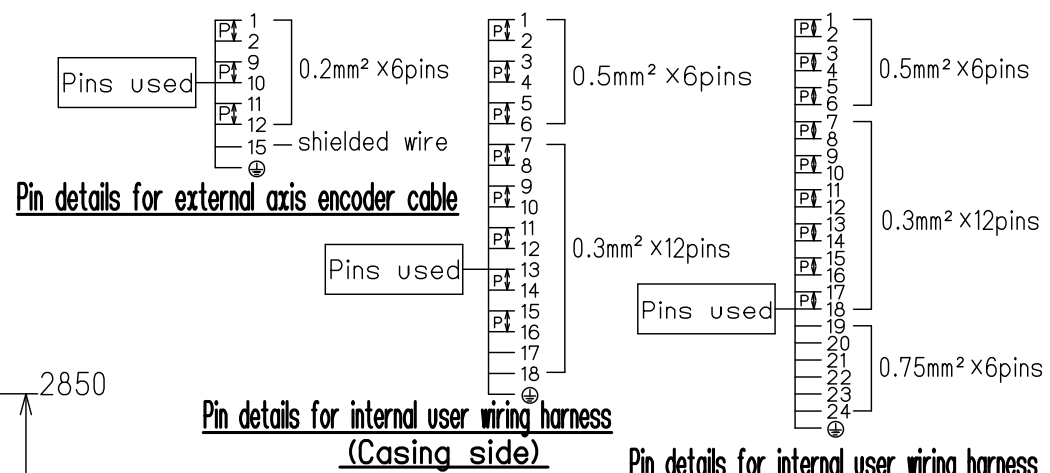
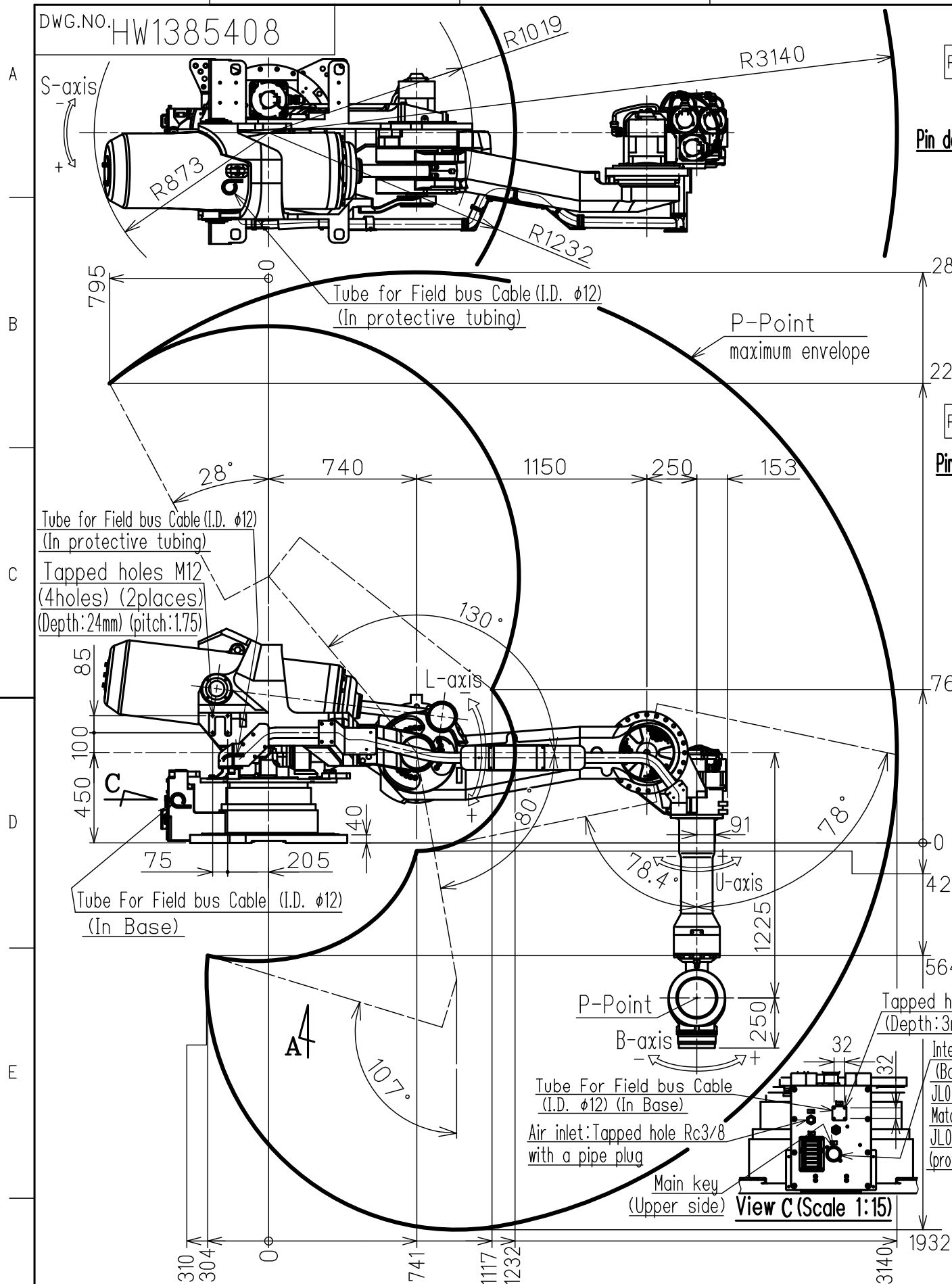


DWG.NO. HW1385408

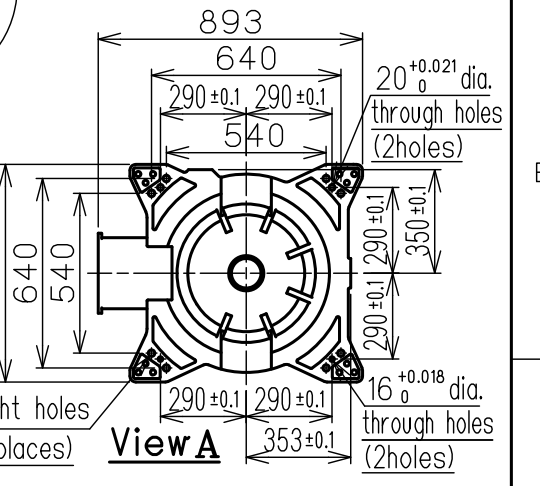


Item	Model	MOTOMAN-GP200R
Configuration		Vertically articulated
Degree of Freedom		6
Payload	Wrist	200 kg
	On U-arm	30 kg
Repeatability (*1)		±0.2 mm
Range of Motion	S-Axis (Turning)	-180° - +180°
	L-Axis (Lower Arm)	-130° - +80°
	U-Axis (Upper Arm)	-78.4° - +78°
	R-Axis (Roll)	-360° - +360°
	T-Axis (Twist)	-360° - +360°
Max Speed	S-Axis	1.57 rad/s, 90°/s
	L-Axis	1.48 rad/s, 85°/s
	U-Axis	1.48 rad/s, 85°/s
	R-Axis	2.09 rad/s, 120°/s
	T-Axis	2.09 rad/s, 120°/s
Allowable Moment	R-Axis	1344 N·m (137kgf·m)
	B-Axis	1344 N·m (137kgf·m)
	T-Axis	715 N·m (73kgf·m)
	T-Axis	715 N·m (73kgf·m)
Allowable Inertia (GD ² /4)	R-Axis	143 kg·m ²
	B-Axis	143 kg·m ²
	T-Axis	80 kg·m ²
Approx. Robot mass		1830 kg
Protected structure		Body: IP54 Wrist: IP67
Mounting method		Shelf-mounted
Ambient Conditions	Temperature	0 to +45°C
	Humidity	20 to 80%RH (Non-condensing)
	Vibration	4.9m/s ² (0.5G) or less
	Altitude	1000m or less
	Others	<ul style="list-style-type: none"> Free from explosive or corrosive gas and liquid. Free from dust, soot, oil, or water. Free from electrical noise. Free from strong magnetic fields.
Power Requirements		5.0KVA
Controller		YRC1000

*1 Repeatability is conformed to ISO 9283.
 *2 The manipulator is in the home position.
 Units: mm

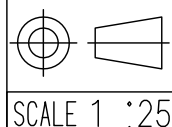
Type	Note
YR-1-06VR200-A00	STANDARD

Internal user wiring connector (Casing side) type is JL05-2A22-14SC (with cap).
 Matching connector type is JL05-6A22-14P (provided by users).



Note:
 1. All rights reserved.
 2. Please note that the data is subject to be deleted without advance notice.
 3. No warranty is given in relation to the data including the specification.
 4. We are not responsible for any damages or loss caused by the use of the data.

FOR STUDY PURPOSE ONLY



YASKAWA
 株式会社 安川電機

Reference Drawing

TITLE MOTOMAN-GP200R
 DIMENSION DIAGRAM

DRWN DATE Oct.03.'17
 DWG.NO. HW1385408

SIZE A3