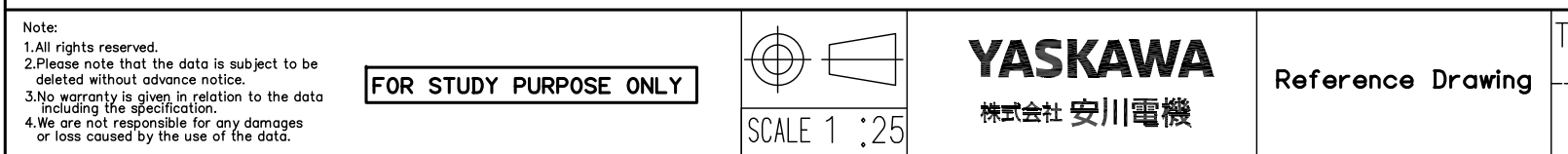
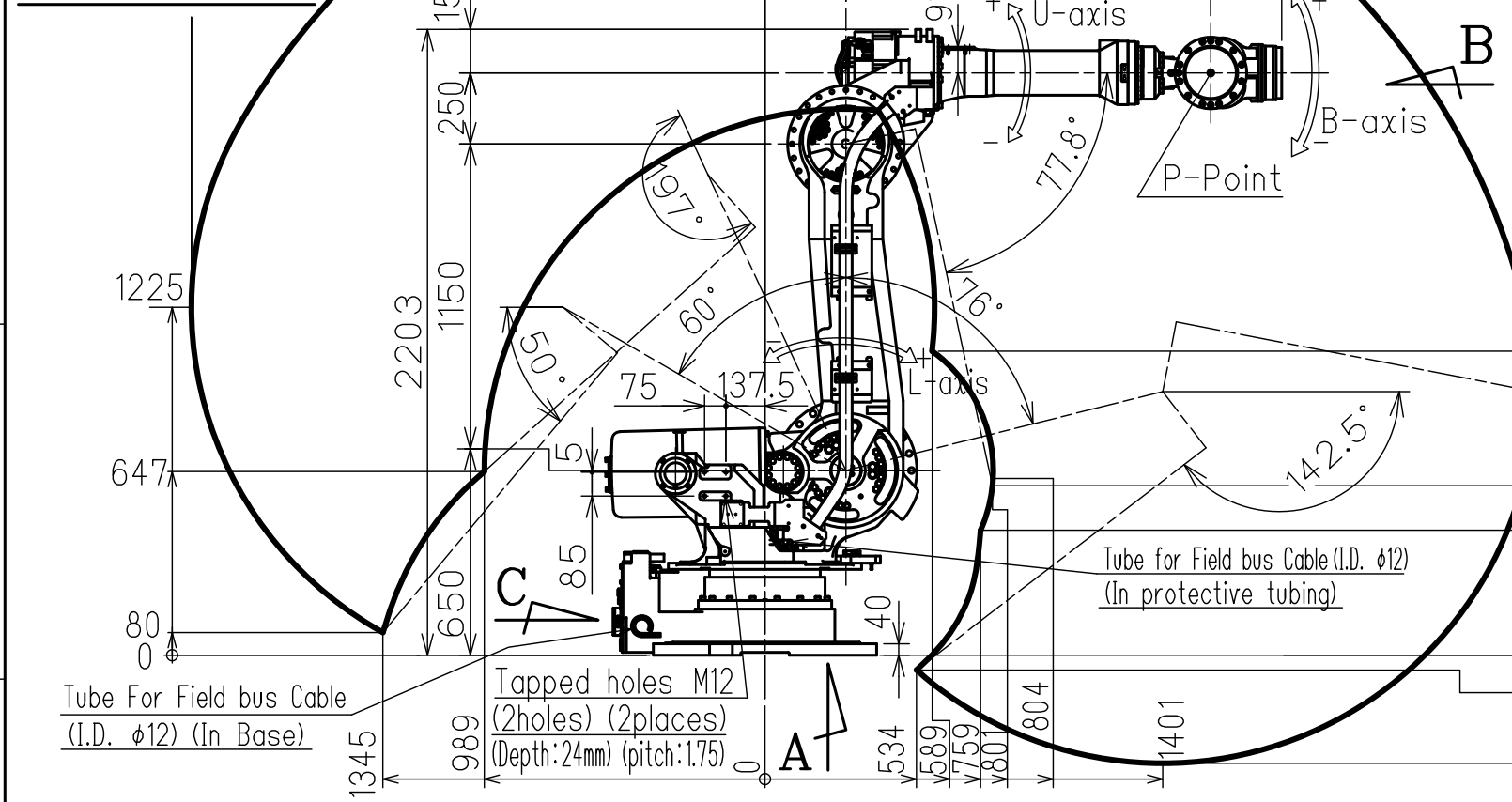
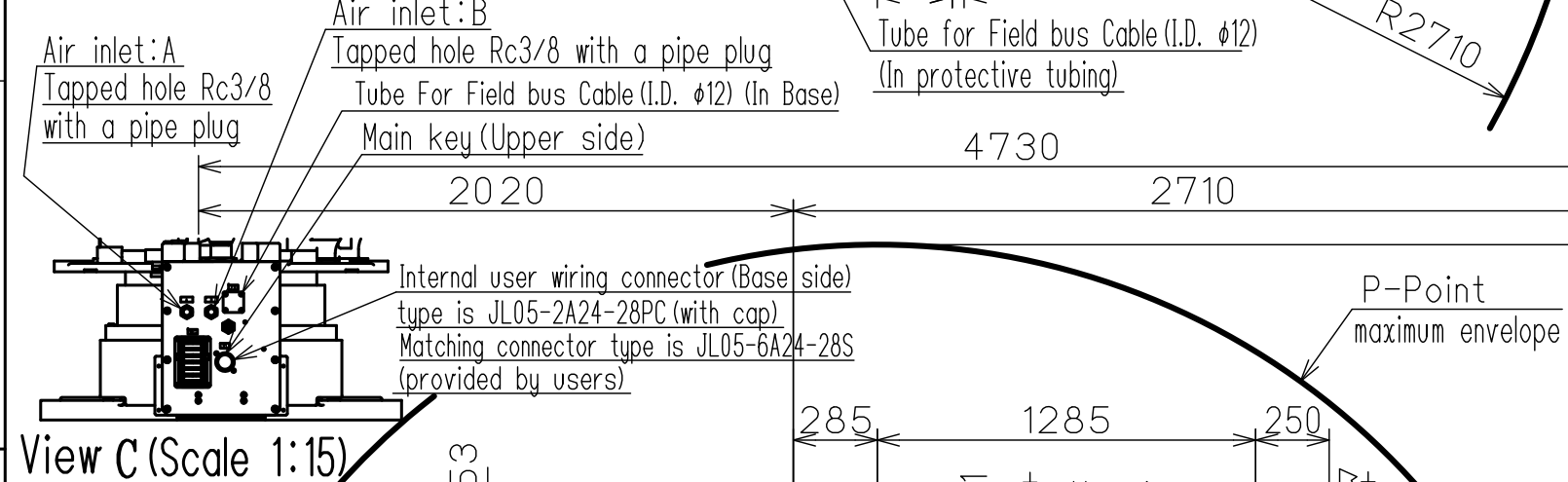
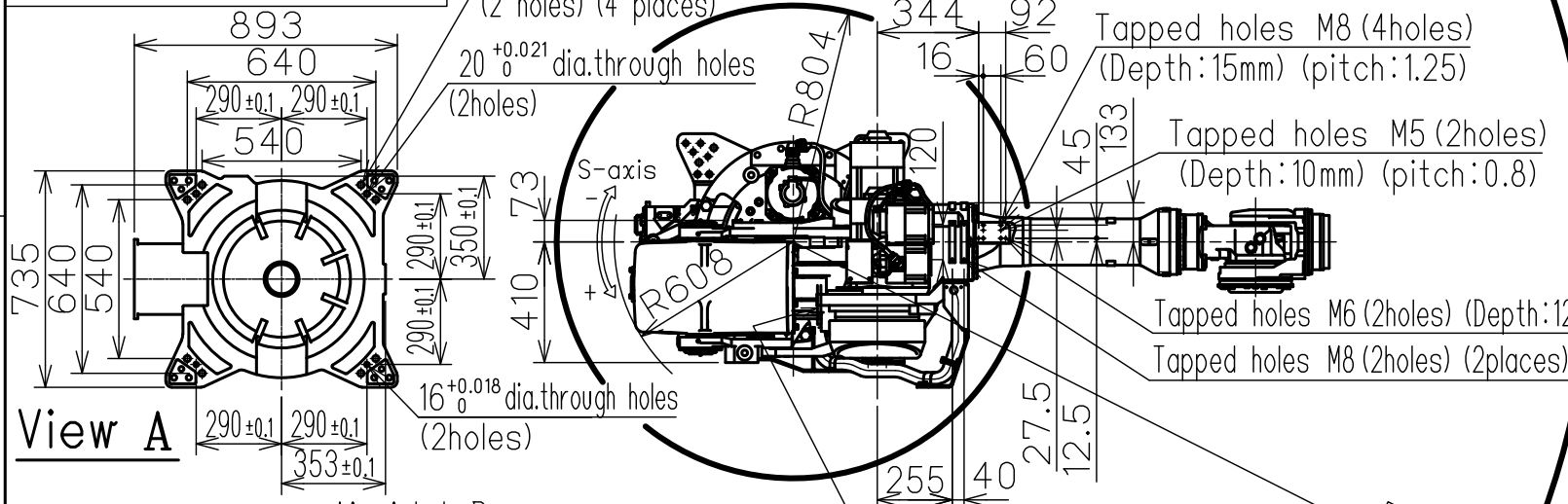
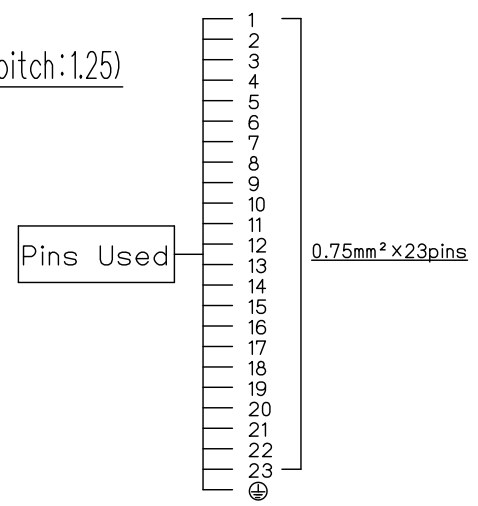


DWG.NO. HW1385430



Note:  
 1.All rights reserved.  
 2.Please note that the data is subject to be deleted without advance notice.  
 3.No warranty is given in relation to the data including the specification.  
 4.We are not responsible for any damages or loss caused by the use of the data.

View B (Scale 1:10)

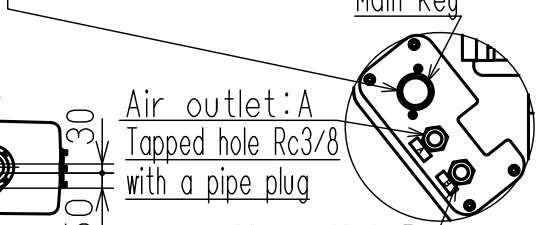


Pin details for internal user wiring harness (Casing side/Base side)

Item	Model	MOTOMAN-GP250
Configuration		Vertically articulated
Degree of Freedom		6
Payload	Wrist	250 kg
	On U-arm	50 kg
Repeatability (※1)		±0.2 mm
Range of Motion	S-Axis (Turning)	-180° - +180°
	L-Axis (Lower Arm)	-60° - +76°
	U-Axis (Upper Arm)	-77.8° - +197°
	R-Axis (Roll)	-360° - +360°
	B-Axis (Pitch/Yaw)	-125° - +125°
	T-Axis (Twist)	-360° - +360°
Max Speed	S-Axis	1.75 rad/s, 100°/s
	L-Axis	1.57 rad/s, 90°/s
	U-Axis	1.69 rad/s, 97°/s
	R-Axis	2.09 rad/s, 120°/s
	B-Axis	2.09 rad/s, 120°/s
	T-Axis	3.32 rad/s, 190°/s
Allowable Moment	R-Axis	1385 N·m (141 kgf·m)
	B-Axis	1385 N·m (141 kgf·m)
	T-Axis	735 N·m (75 kgf·m)
Allowable Inertia (GD²/4)	R-Axis	317 kg·m²
	B-Axis	317 kg·m²
	T-Axis	200 kg·m²
Approx.Robot mass		1345 kg
Protected structure		Body:IP54 Wrist:IP67
Mounting method		Floor-mounted
Ambient Conditions	Temperature	0 to +45°C
	Humidity	20 to 80%RH (Non-condensing)
	Vibration	4.9m/s² (0.5G) or less
	Altitude	1000m or less
	Others	<ul style="list-style-type: none"> <li>Free from explosive or corrosive gas and liquid.</li> <li>Free from dust,soot,oil,or water.</li> <li>Free from electrical noise.</li> <li>Free from strong magnetic fields.</li> </ul>
Power Requirements		5.0KVA
Controller		YRC1000

※1 Repeatability is conformed to ISO 9283. Units:mm  
 ※2 The manipulator is in the home position.

Internal user wiring connector (Casing side) type is JL05-2A24-28SC (with cap) Matching connector type is JL05-6A24-28P (provided by users)

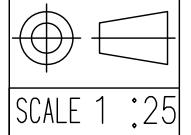


Air outlet:A Tapped hole Rc3/8 with a pipe plug  
 Air outlet:B Tapped hole Rc3/8 with a pipe plug

View D (Scale 1:8)

Type	Note
YR-1-06VX250-A00	STANDARD

FOR STUDY PURPOSE ONLY



**YASKAWA**  
 株式会社 安川電機

Reference Drawing

TITLE MOTOMAN-GP250  
 DIMENSION DIAGRAM

DRWN DATE Oct.03.'17  
 DWG.NO. HW1385430

SIZE A3