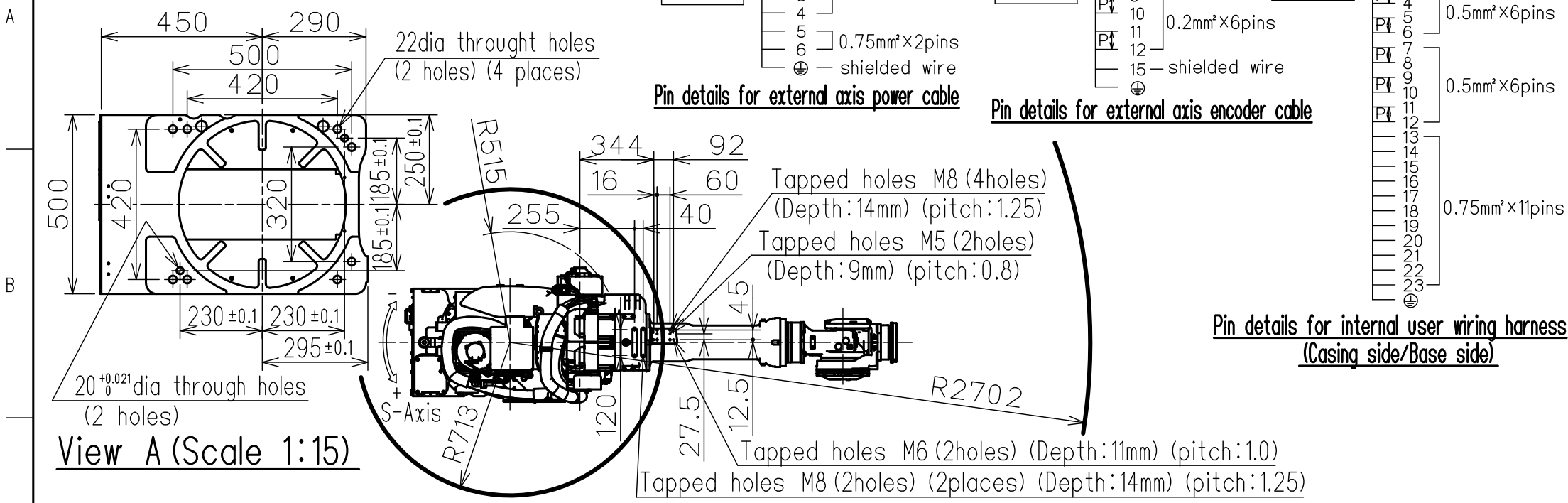


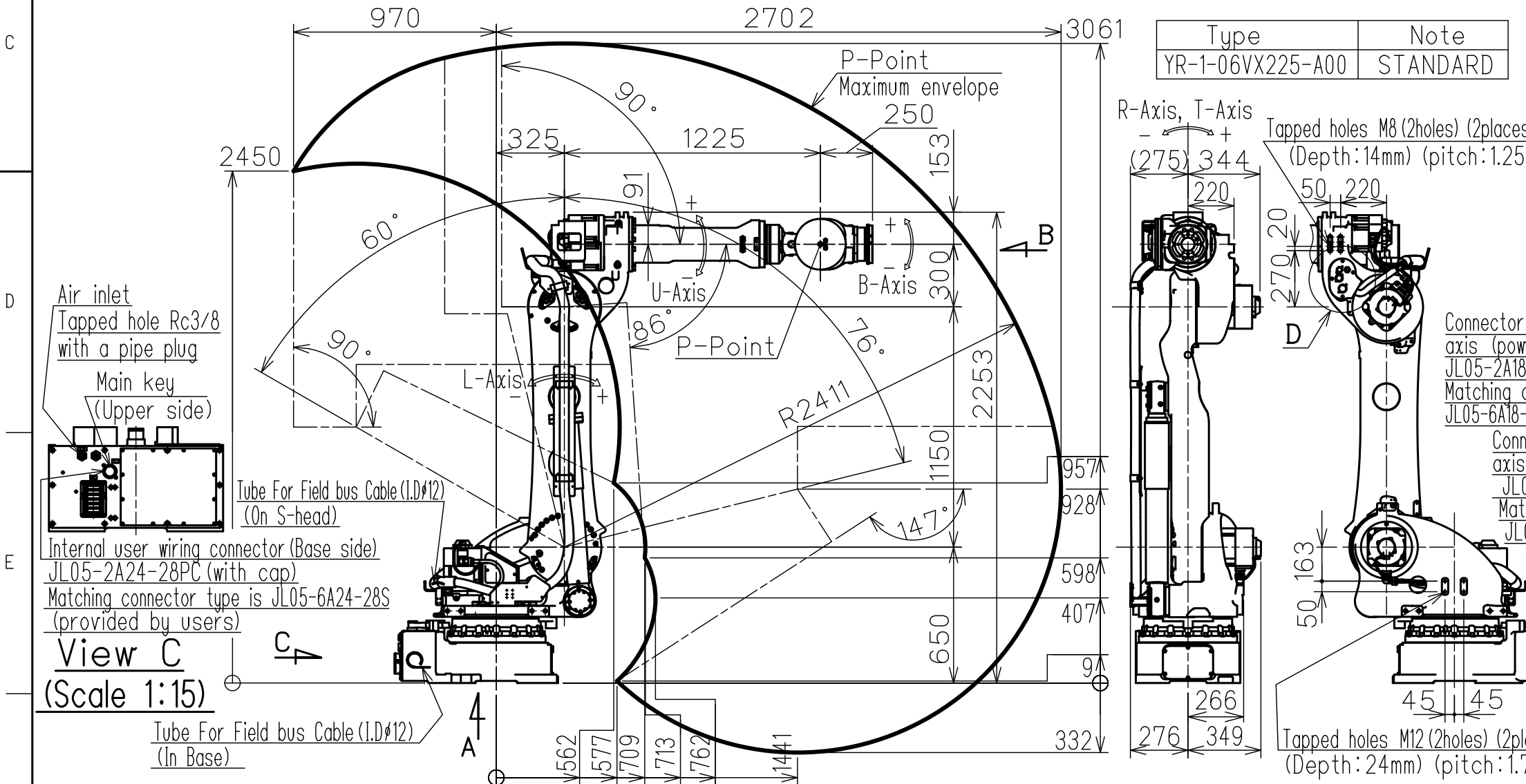
DWG.NO. HW1385416



View A (Scale 1:15)

Item	Model	MOTOMAN-GP225
Configuration	Vertically articulated	
Degree of Freedom	6	
Payload	Wrist	225kg
	On U-arm	30kg
Repeatability (※1)	±0.2 mm	
Range of Motion	S-Axis (Turning)	-180° - +180°
	L-Axis (Lower Arm)	-60° - +76°
	U-Axis (Upper Arm)	-86° - +90°
	R-Axis (Roll)	-360° - +360°
	B-Axis (Pitch/Yaw)	-125° - +125°
	T-Axis (Twist)	-360° - +360°
Max Speed	S-Axis	2.09 rad/s, 120°/s
	L-Axis	1.69 rad/s, 97°/s
	U-Axis	2.01 rad/s, 115°/s
	R-Axis	2.53 rad/s, 145°/s
	B-Axis	2.53 rad/s, 145°/s
Allowable Moment	R-Axis	1372 N·m (140kgf·m)
	B-Axis	1372 N·m (140kgf·m)
	T-Axis	735 N·m (75kgf·m)
Allowable Inertia (GD ² /4)	R-Axis	145kg·m ²
	B-Axis	145kg·m ²
	T-Axis	84kg·m ²
Approx. Robot mass	1080kg	
Protected structure	Body: IP54 Wrist: IP67	
Mounting method	Floor-mounted	
Ambient	Temperature	0 to +45°C
	Humidity	20 to 80%RH (Non-condensing)
	Vibration	4.9m/s ² (0.5G) or less
	Altitude	1000m or less
Conditions	Others	<ul style="list-style-type: none"> Free from explosive or corrosive gas and liquid. Free from dust, soot, oil, or water. Free from electrical noise. Free from strong magnetic fields.
	Power Requirements	5.0kVA
Controller	YRC1000	

※1 Repeatability is conformed to ISO 9283. Units: mm
 ※2 The manipulator is in the home position.



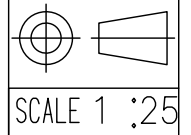
View C (Scale 1:15)

View D (Scale 1:10)

View B (Scale 1:10)

Note:
 1. All rights reserved.
 2. Please note that the data is subject to be deleted without advance notice.
 3. No warranty is given in relation to the data including the specification.
 4. We are not responsible for any damages or loss caused by the use of the data.

FOR STUDY PURPOSE ONLY



YASKAWA
 株式会社 安川電機

Reference Drawing

TITLE MOTOMAN-GP225
 DIMENSION DIAGRAM

DRWN DATE Oct.03.'17
 DWG.NO. HW1385416

SIZE A3