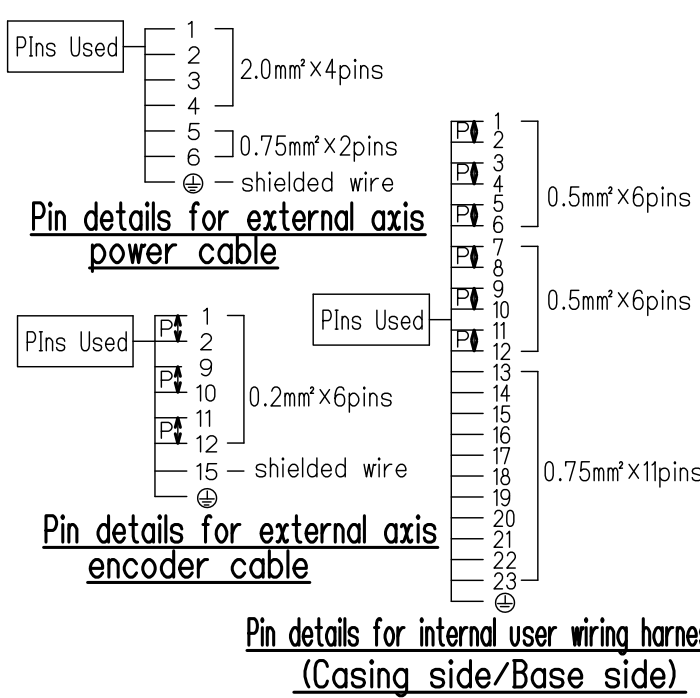
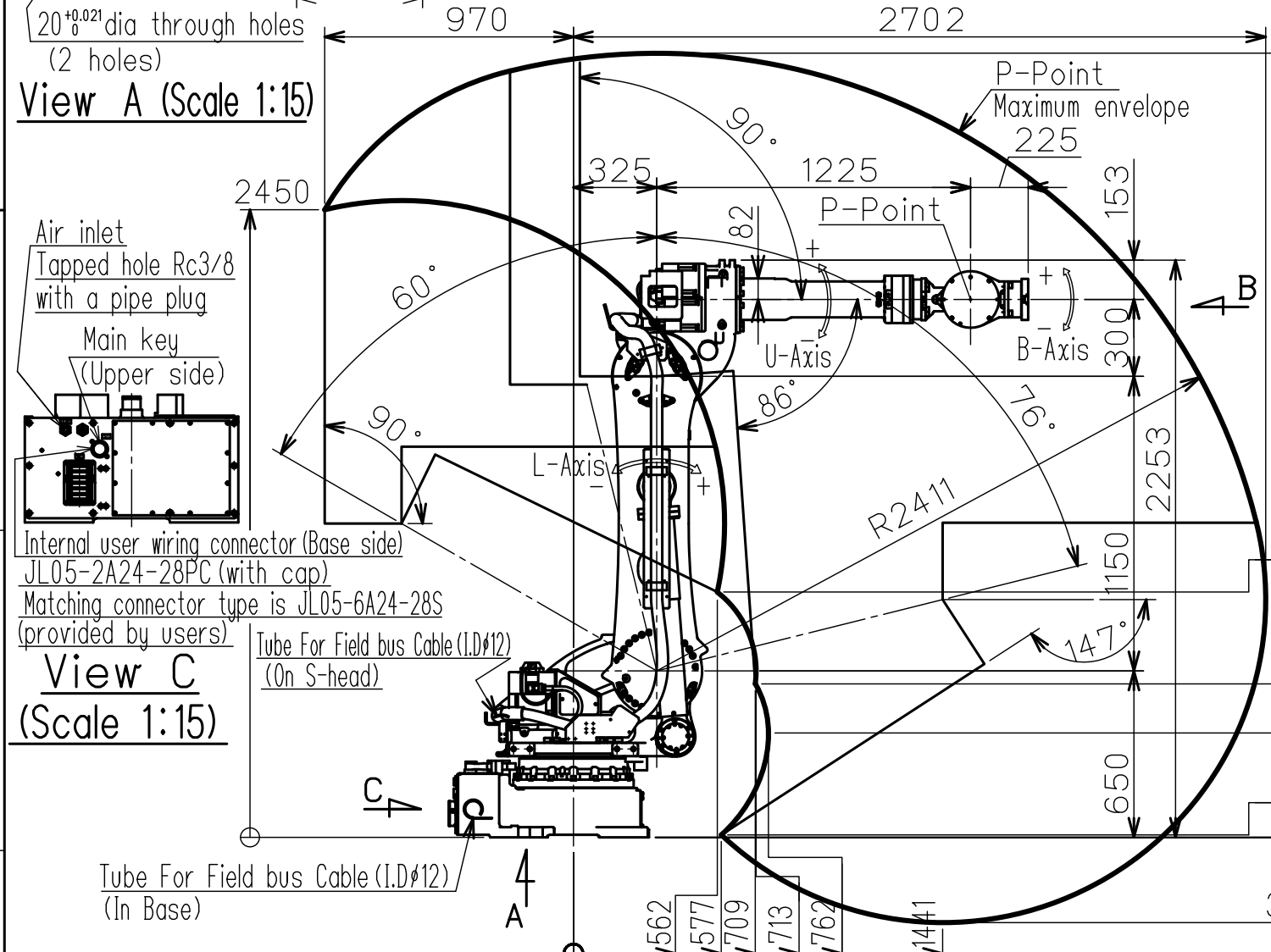
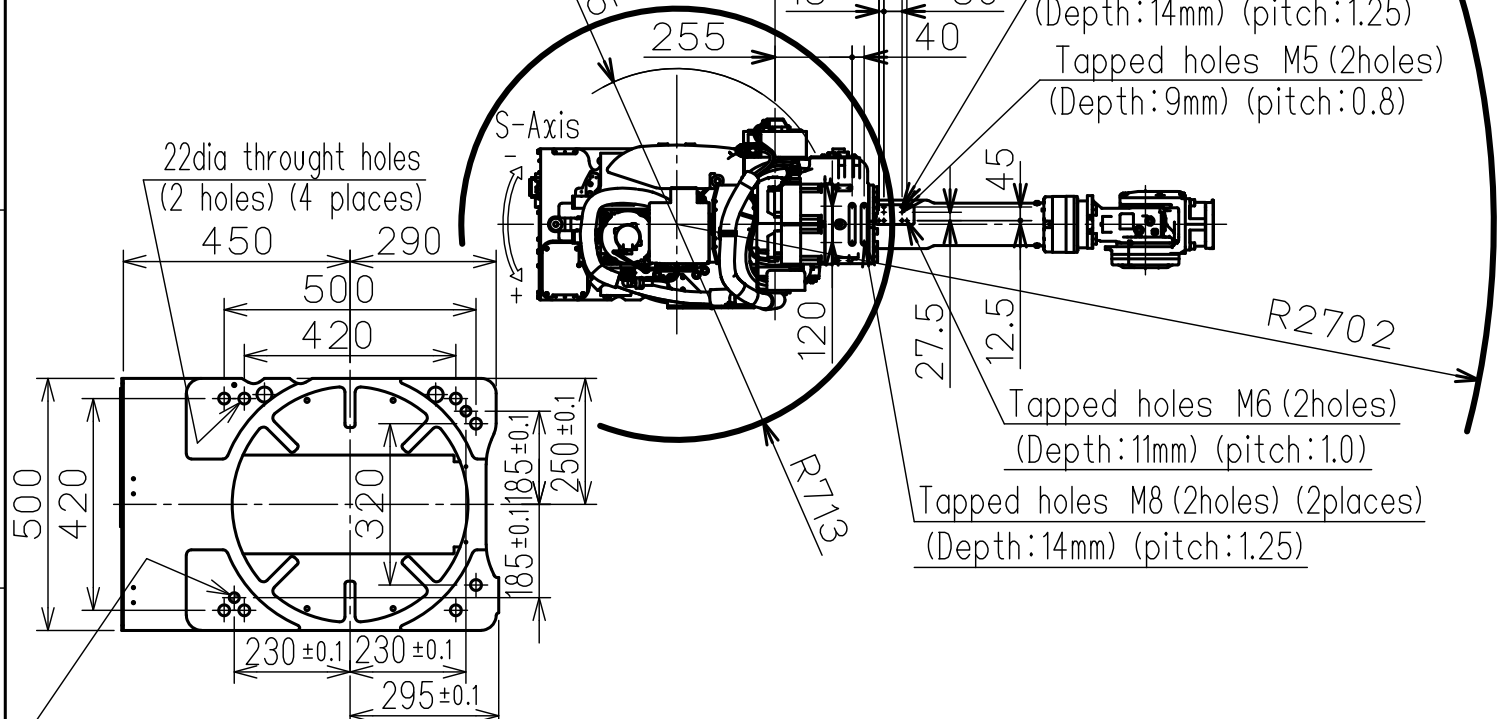
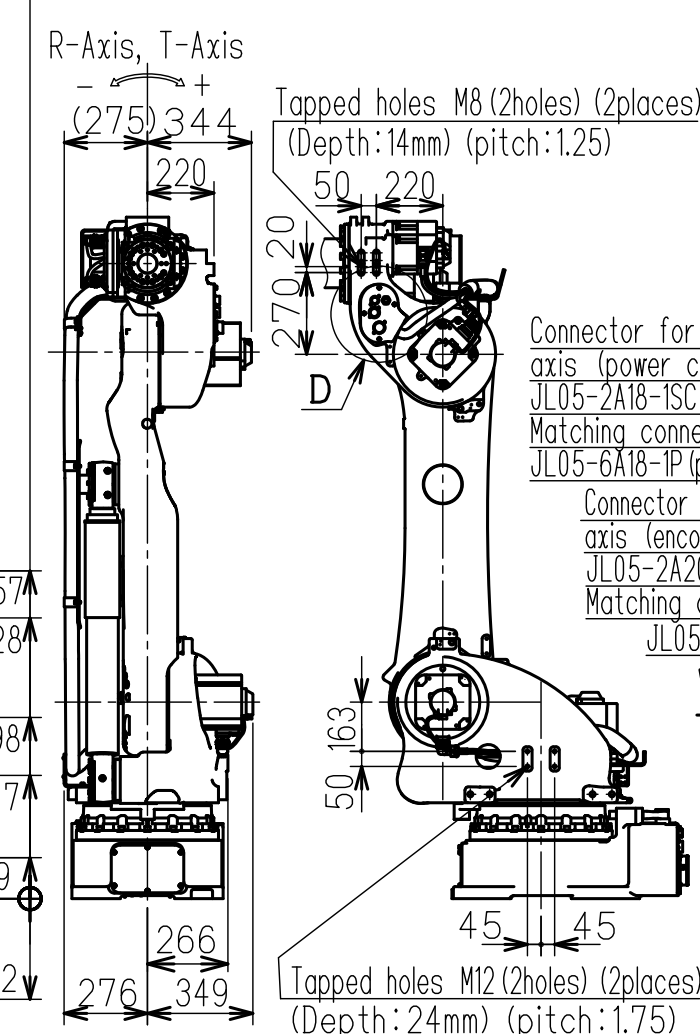


DWG.NO. HW1385420



Type	Note
YR-1-06VX180-A00	STANDARD



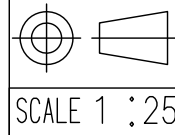
Item	Model	MOTOMAN-GP180
Configuration		Vertically articulated
Degree of Freedom		6
Payload	Wrist	180kg
	On U-arm	30kg
Repeatability (※1)		±0.2 mm
Range of Motion	S-Axis (Turning)	-180° - +180°
	L-Axis (Lower Arm)	-60° - +76°
	U-Axis (Upper Arm)	-86° - +90°
	R-Axis (Roll)	-360° - +360°
	B-Axis (Pitch/Yaw)	-130° - +130°
	T-Axis (Twist)	-360° - +360°
Max Speed	S-Axis	2.18 rad/s, 125°/s
	L-Axis	2.01 rad/s, 115°/s
	U-Axis	2.18 rad/s, 125°/s
	R-Axis	3.18 rad/s, 182°/s
	B-Axis	3.05 rad/s, 175°/s
	T-Axis	4.63 rad/s, 265°/s
Allowable Moment	R-Axis	1000 N·m (102kgf·m)
	B-Axis	1000 N·m (102kgf·m)
	T-Axis	618 N·m (63kgf·m)
Allowable Inertia (GD <sup>2</sup> /4)	R-Axis	90 kg·m <sup>2</sup>
	B-Axis	90 kg·m <sup>2</sup>
	T-Axis	46.3kg·m <sup>2</sup>
Approx. Robot mass		1020kg
Protected structure		Body: IP54 Wrist: IP67
Mounting method		Floor-mounted
Ambient Conditions	Temperature	0 to +45°C
	Humidity	20 to 80%RH (Non-condensing)
	Vibration	4.9m/s <sup>2</sup> (0.5G) or less
	Altitude	1000m or less
	Others	<ul style="list-style-type: none"> <li>Free from explosive or corrosive gas and liquid.</li> <li>Free from dust, soot, oil, or water.</li> <li>Free from electrical noise.</li> <li>Free from strong magnetic fields.</li> </ul>
Power Requirements		5.0kVA
Controller		YRC1000

※1 Repeatability is conformed to ISO 9283.  
 ※2 The manipulator is in the home position.

Units: mm

Note:  
 1. All rights reserved.  
 2. Please note that the data is subject to be deleted without advance notice.  
 3. No warranty is given in relation to the data including the specification.  
 4. We are not responsible for any damages or loss caused by the use of the data.

FOR STUDY PURPOSE ONLY



**YASKAWA**  
 株式会社安川電機

Reference Drawing

TITLE MOTOMAN-GP180  
 DIMENSION DIAGRAM

DRWN DATE Oct.03.'17  
 DWG.NO. HW1385420

①

SIZE A3