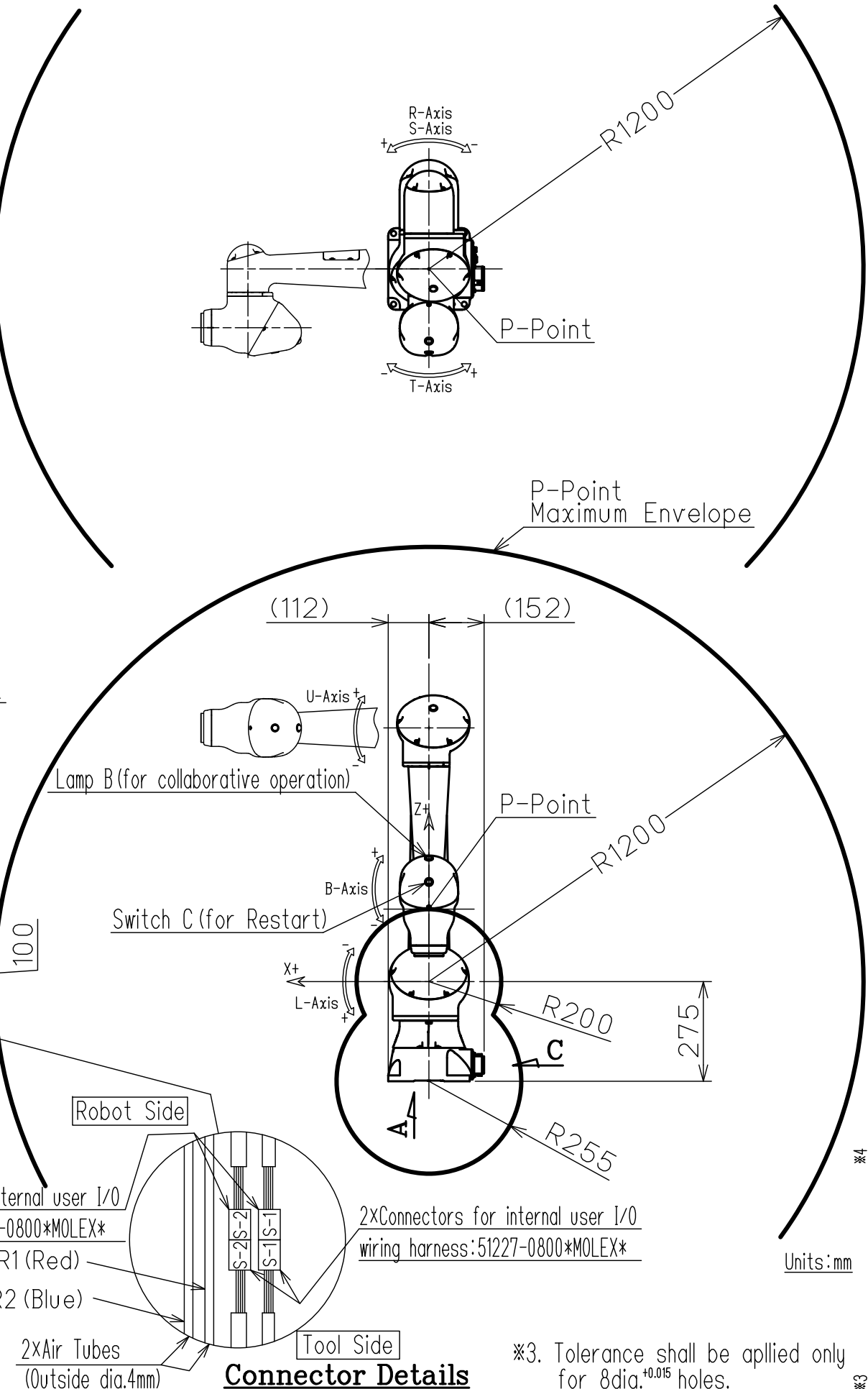
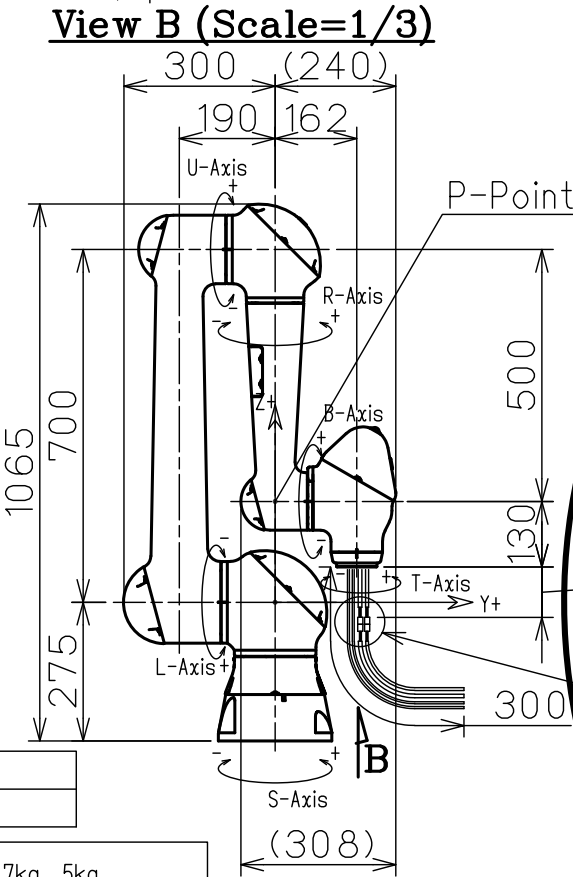
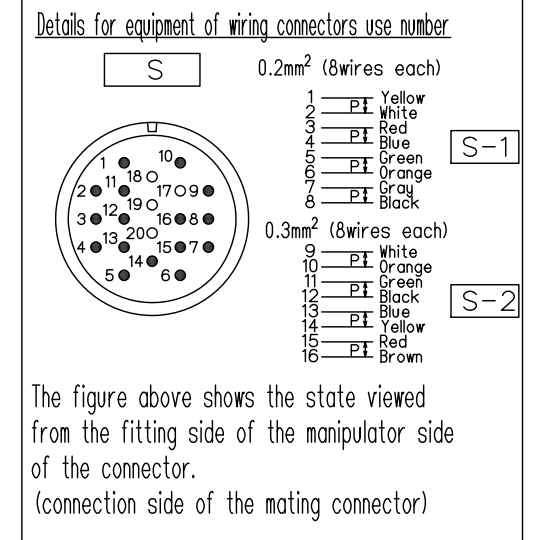
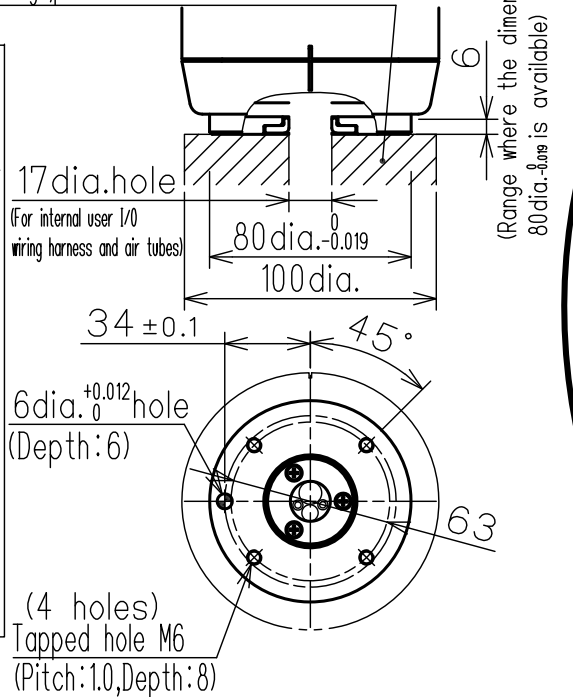
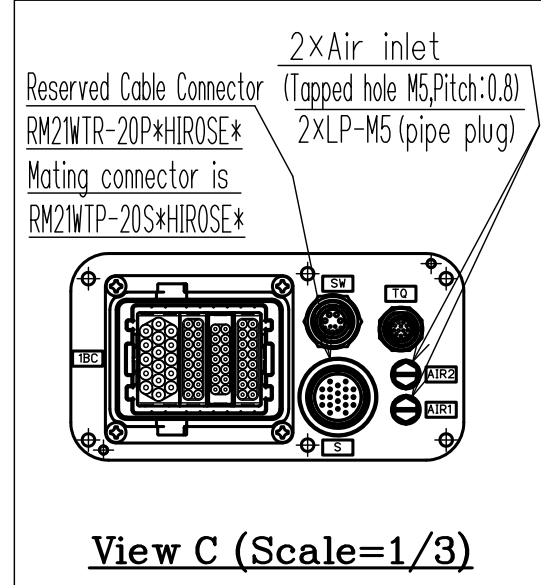
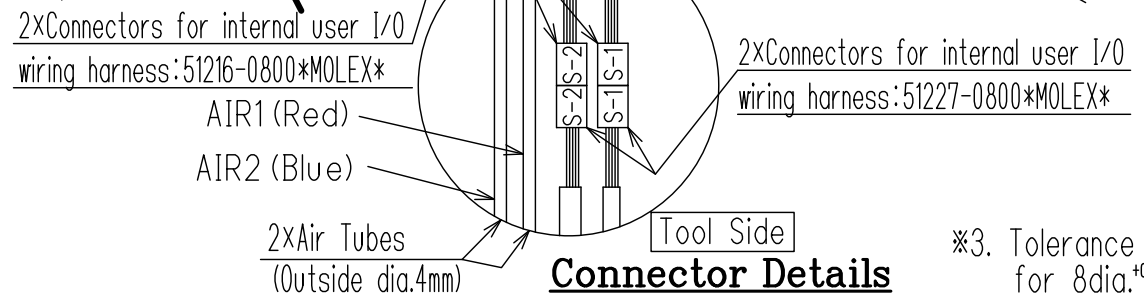
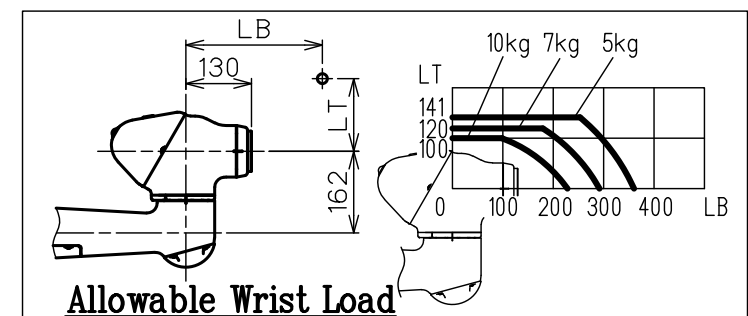


DWG.NO. HW1385223

Attachment recommended range  
(Out of range, please be aware of the interference.)



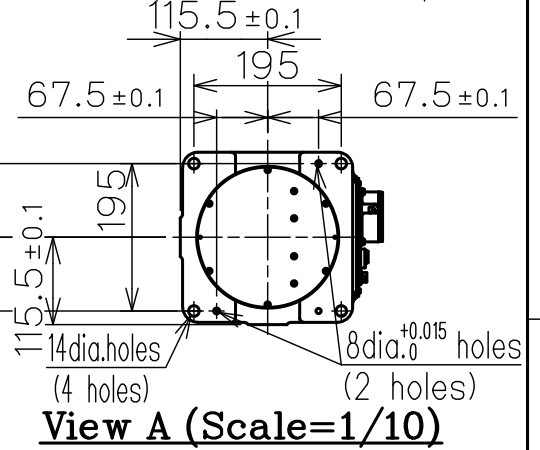
Type	Note
YR-1-06VXHC10-A00	-



\*3. Tolerance shall be applied only for 8 dia.  $\pm 0.015$  holes.

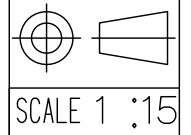
Item	Model	Collaborative Robot MOTOMAN-HC10
Configuration		Vertically Articulated
Degree of Freedom		6
Payload		10kg
Repeatability *1		$\pm 0.1$ mm
Range of motion	S-Axis (Turning)	$-180^\circ - +180^\circ$
	L-Axis (Lower Arm)	$-180^\circ - +180^\circ$
	U-Axis (Upper Arm)	$-5^\circ - +355^\circ$
	R-Axis (Roll)	$-180^\circ - +180^\circ$
	B-Axis (Pitch/Yaw)	$-180^\circ - +180^\circ$
Maximum speed	S-Axis	2.27rad/s, 130°/s
	L-Axis	2.27rad/s, 130°/s
	U-Axis	3.14rad/s, 180°/s
	R-Axis	3.14rad/s, 180°/s
	B-Axis	4.36rad/s, 250°/s
Allowable Moment	R-Axis	27.4N·m (2.8kgf·m)
	B-Axis	27.4N·m (2.8kgf·m)
	T-Axis	9.8N·m (1.0kgf·m)
Allowable Inertia (GD <sup>2</sup> /4)	R-Axis	0.78 kg·m <sup>2</sup>
	B-Axis	0.78 kg·m <sup>2</sup>
	T-Axis	0.1 kg·m <sup>2</sup>
Approx. Robot mass		47kg
Protected structure		All axes: IP20
Mounting method		Floor-mounted, Wall-mounted, Tilt-mounted, Ceiling-mounted
Ambient Conditions	Temperature	0 to 40 °C
	Humidity	20 to 80%RH (Non-Condensing)
	Vibration	Less than 4.9m/s <sup>2</sup> (0.5G)
	Altitude	1000m or less
	Others	<ul style="list-style-type: none"> <li>Free from explosive or corrosive gas and liquid.</li> <li>Free from dust, oil, of water.</li> <li>Free from electrical noise.</li> <li>Free from Strong magnetic fields.</li> </ul>
Power Requirements		1.0kVA
Controller		YRC1000/YRC1000micro

SI units are used in this table.  
However, gravitational unit is used in ().  
\*1 Conformed to ISO9283  
\*2 The manipulator is in the home position.



Note:  
1. All rights reserved.  
2. Please note that the data is subject to be deleted without advance notice.  
3. No warranty is given in relation to the data including the specification.  
4. We are not responsible for any damages or loss caused by the use of the data.

**FOR STUDY PURPOSE ONLY**



**YASKAWA**  
株式会社 安川電機

Reference Drawing

TITLE MOTOMAN-HC10  
DIMENSION DIAGRAM

DRWN DATE Apr. 14, '17  
DWG.NO. HW1385223

SIZE A3