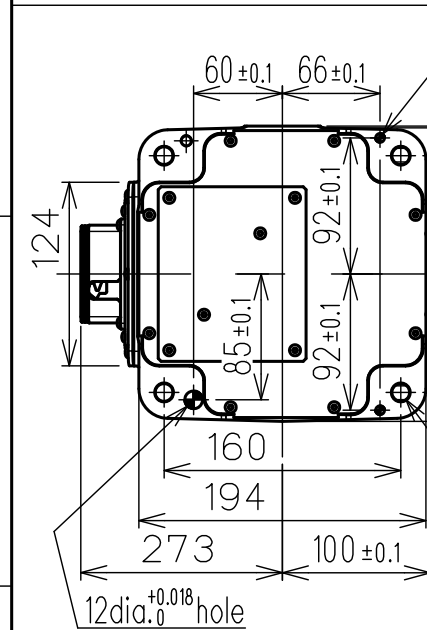
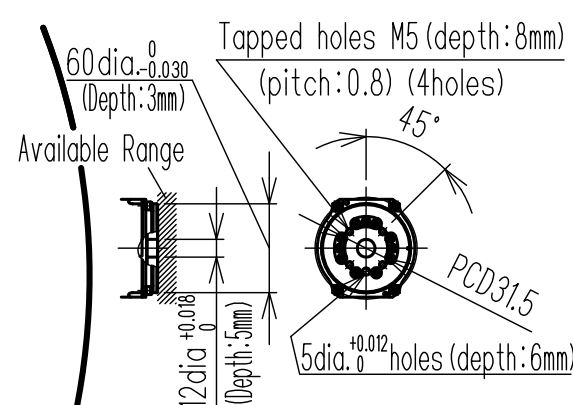
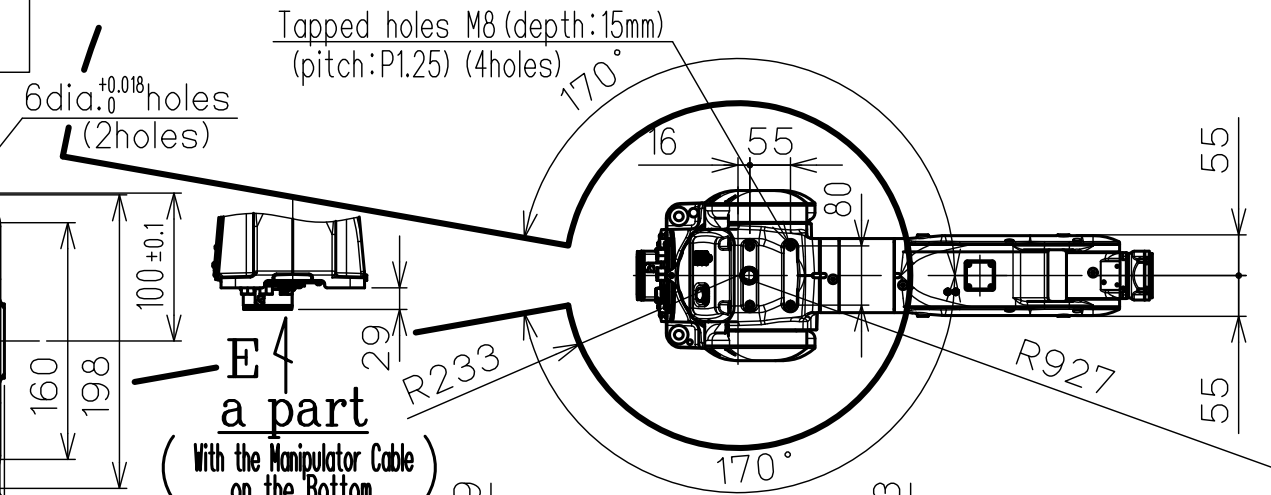


DWG.NO. HW1385455



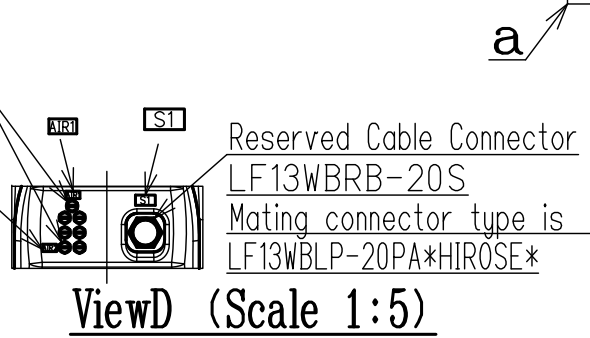
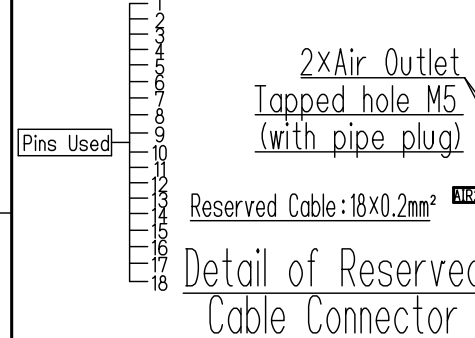
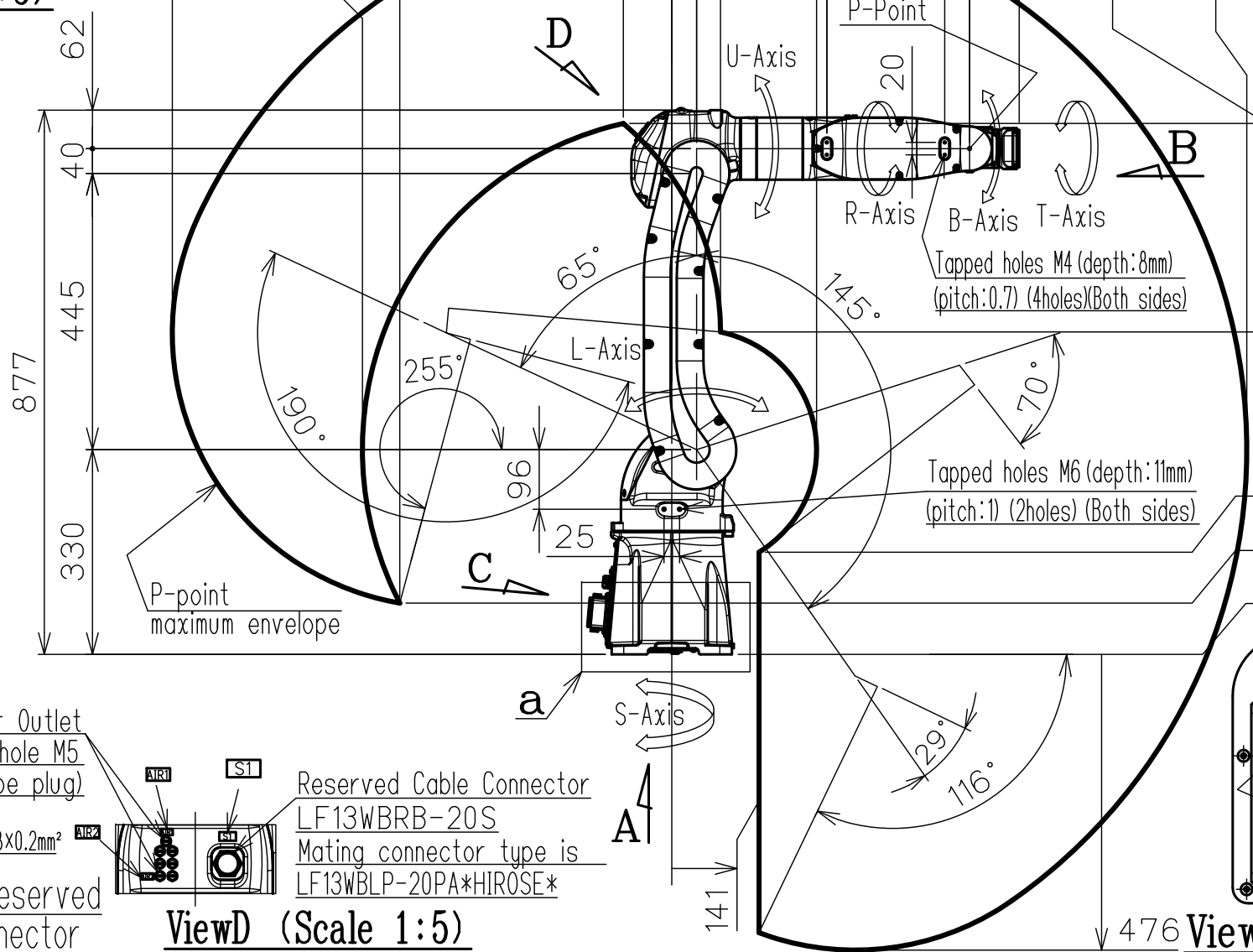
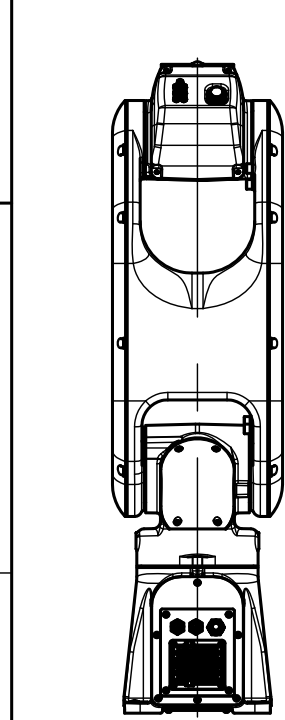
ViewA (Scale 1:5)



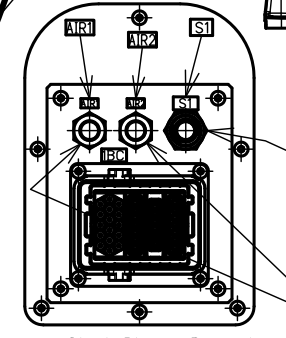
ViewB Detail of Wrist Frange (Scale 1:2)

Type	Controller	Model	Note
YR-1-06VX7-F00	YRC1000 YRC1000micro	GP7	Food-grade grease type

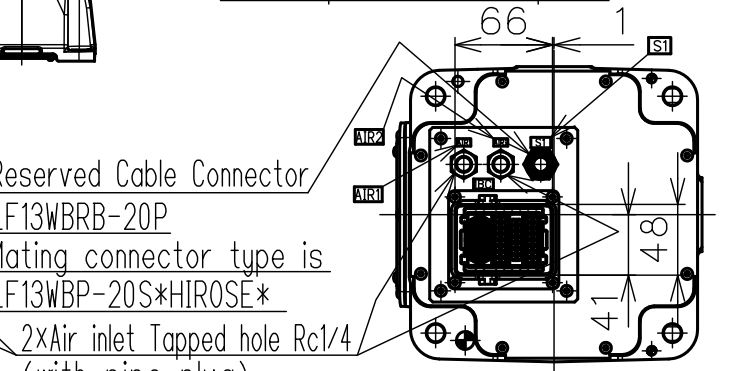
Units: mm



ViewD (Scale 1:5)



ViewC (Scale 1:4)



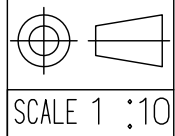
ViewE (Scale 1:5)

Item	Model	MOTOMAN-GP7
Configuration		Vertically Articulated
Degree of Freedom		6
Payload		7kg
Repeatability *1		±0.03mm
Range of motion	S-Axis (Turning)	-170° - +170°
	L-Axis (Lower Arm)	-65° - +145°
	U-Axis (Upper Arm)	-70° - +190°
	R-Axis (Roll)	-190° - +190°
	B-Axis (Pitch/Yaw)	-135° - +135°
	T-Axis (Twist)	-360° - +360°
Maximum speed	S-Axis	6.54rad/s, 375°/s
	L-Axis	5.50rad/s, 315°/s
	U-Axis	7.15rad/s, 410°/s
	R-Axis	9.59rad/s, 550°/s
	B-Axis	9.59rad/s, 550°/s
Allowable Moment	R-Axis	17Nm (1.73kgfm)
	B-Axis	17Nm (1.73kgfm)
	T-Axis	10Nm (1.02kgfm)
Allowable Inertia (GD <sup>2</sup> /4)	R-Axis	0.5kg·m <sup>2</sup>
	B-Axis	0.5kg·m <sup>2</sup>
	T-Axis	0.2 kg·m <sup>2</sup>
Approx. Robot mass		34kg
Protected structure		IP67
Mounting method *2		Floor-mounted, Wall-mounted, Tilt-mounted, Ceiling-mounted
	Temperature	15 to 45 °C
	Humidity	20 to 80%RH (Non-Condensing)
	Vibration	Less than 4.9m/s <sup>2</sup> (0.5G)
Ambient Conditions	Altitude	1000 m or less
	Others	•Free from explosive or corrosive gas and liquid. •Free from electrical noise. •Free from strong magnetic fields.
	Power Requirements	
Controller		YRC1000/YRC1000micro

Notes: \*1 Repeatability is conformed to ISO 9283.  
\*2 When the manipulator is installed on a tilt or a wall, the motion of S-axis will be limited.  
\*3 The manipulator is in the home position.

Note:  
1. All rights reserved.  
2. Please note that the data is subject to be deleted without advance notice.  
3. No warranty is given in relation to the data including the specification.  
4. We are not responsible for any damages or loss caused by the use of the data.

FOR STUDY PURPOSE ONLY



**YASKAWA**  
株式会社 安川電機

Reference Drawing

TITLE MOTOMAN-GP7  
DIMENSION DIAGRAM

DRWN DATE '17.01.30

DWG.NO. HW1385455

SIZE A3