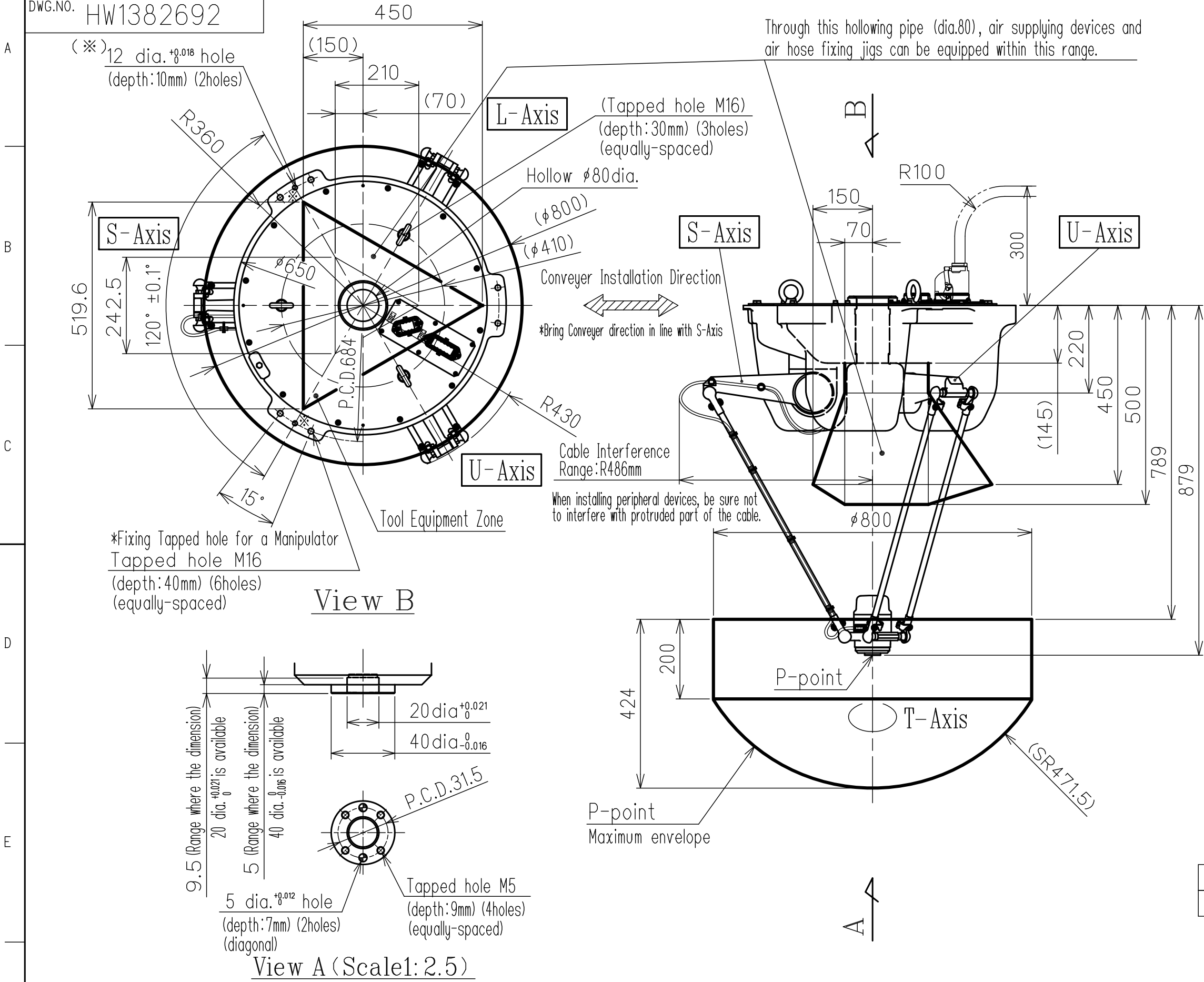


DWG.NO. HW1382692



ITEM	MODEL	MOTOMAN-MPP3S
Degree of Freedom		4
Payload		3kg
Repetitive Positioning Accuracy *1		±0.1mm
Repetitive Rotational Accuracy (T-axis)		±1 arc-min or less
Range of Motion		φ800 X H200
Cycle Time (25-305-25)	1kg	3kg
	230cpm*2	150cpm
T-Axis	Range of Motion	-360° ~ +360°
	Allowable Inertia (GD ² /4)	1kg:0.0013kg·m ² or less 3kg:0.017kg·m ² or less
Mass		95kg
IP degree		IP67
Cleanliness Class*3		ISO class 5 (class 100)
Ambient Conditions	Temperature	0 ~ 40°C
	Humidity	20 ~ 80%RH Non condensing
	Vibration acceleration	4.9m/s ² (0.5G) or less
	Others	•Free from corrosive gas or liquid, or explosive gas. •Free from excessive electrical noise.
Power Capacity		1.5KVA

SI units are used in this table. However, gravitational unit is used in ().

*1: Conformed to ISO 9283

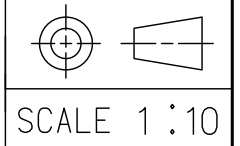
*2: Limited Continuance Motion. (Non Limited Continuance Motion : 185 cpm or less.)

*3: Conformed to ISO 14644-1

Type	Note
YR-MPP003S-A00	Standard

Note:
1.All rights reserved.
2.Please note that the data is subject to be deleted without advance notice.
3.No warranty is given in relation to the data including the specification.
4.We are not responsible for any damages or loss caused by the use of the data.

FOR STUDY PURPOSE ONLY



Reference Drawing

TITLE MOTOMAN-MPP3S
DIMENSION DIAGRAM

DWG.NO. HW1382692

SIZE A3